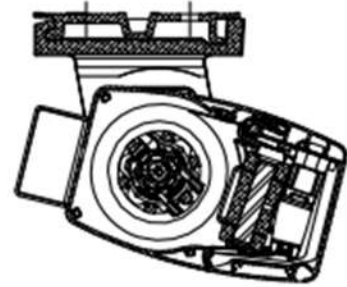


TA - 7 Series Retractable Awning Installation Guide



If nothing else, at least read this page!

Talius has been producing retractable awnings since 2024 and in that time we have found that most issues experienced are related to the product installation. It is essential to follow the installation guidelines. We urge installers to take the time now to read the instructions and avoid costly, time-consuming problems later. It is only necessary to read through a small fraction of this booklet as it covers all types of Awning installations.

We hope that this installation guide is easy to use. Should you discover an error or an omission please tell us about it. Parts and options change continually so we are updating all the time.

Should you require any support or have any questions, please call us from site:
888-550-6205

We thank you for putting your trust in us.

Sincerely,

Your Talius Customer Service Team

MOUNTING

min. 



Installation Video

FR 

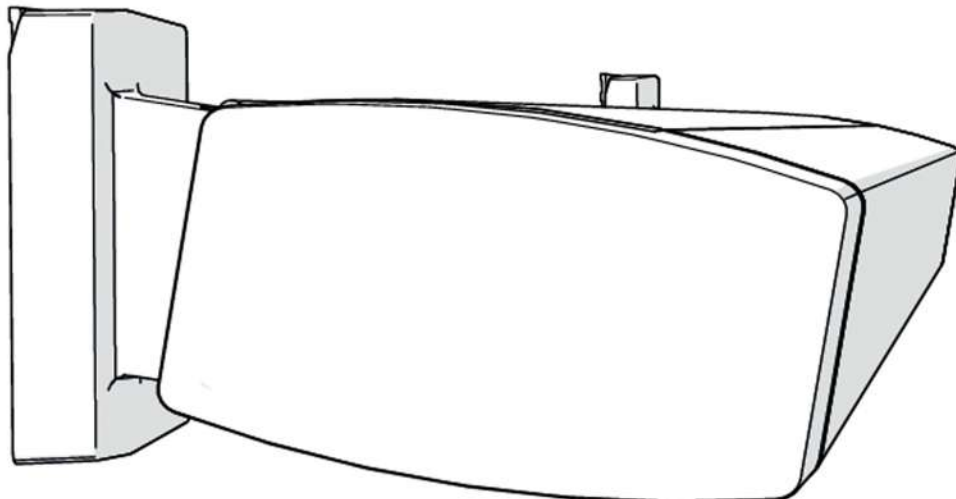
EN 

LASER

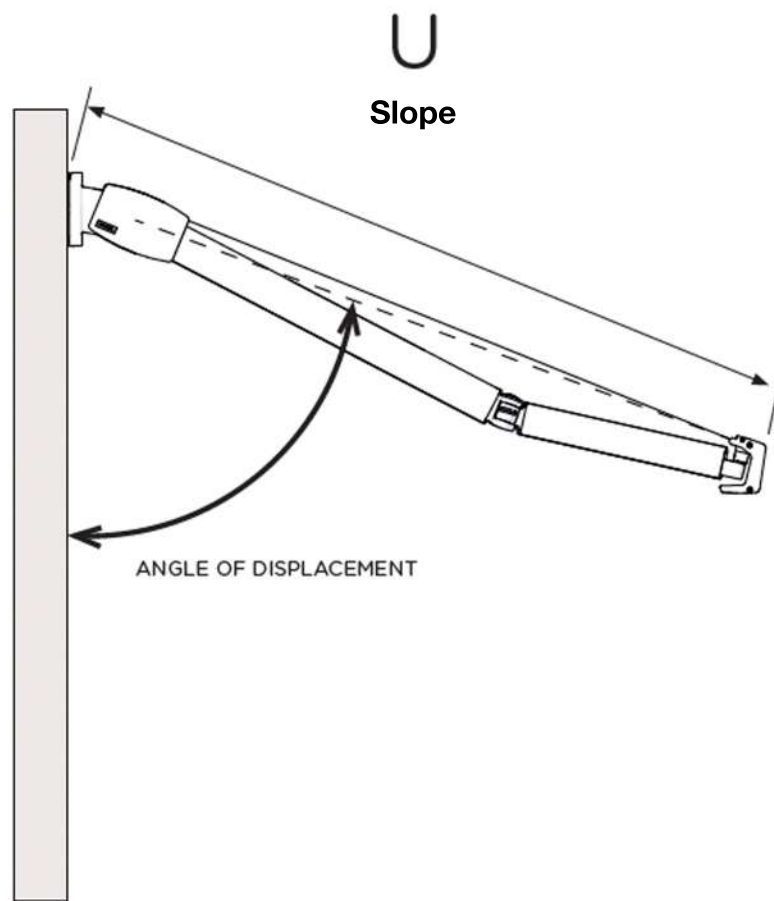
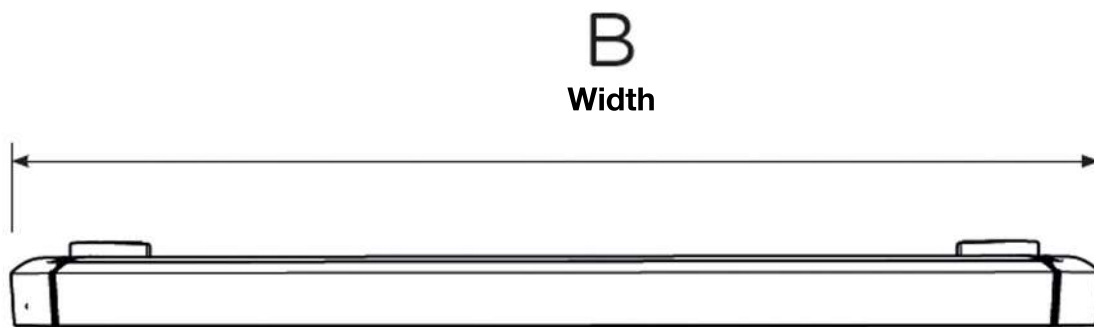
Ø12

Ø16

17



TA-7 Series Overview



Motor Operation



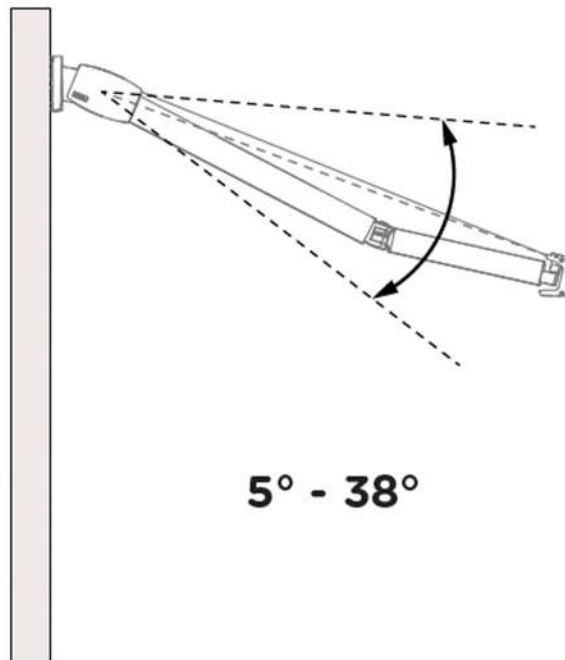
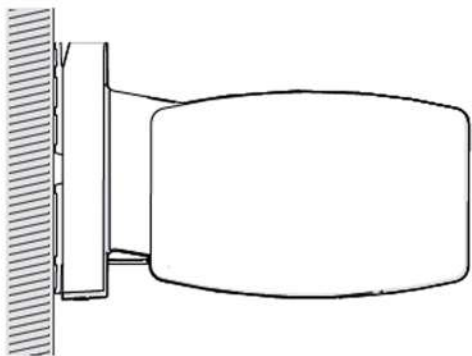
Hand Crank Operatin



Mounting Types

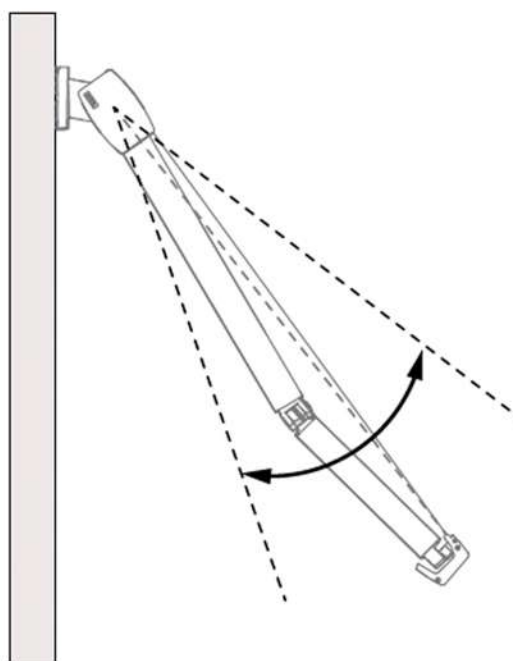
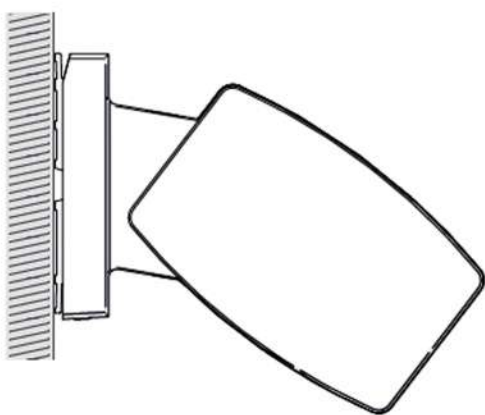
TYPE 1

Wall Mounting



TYPE 2

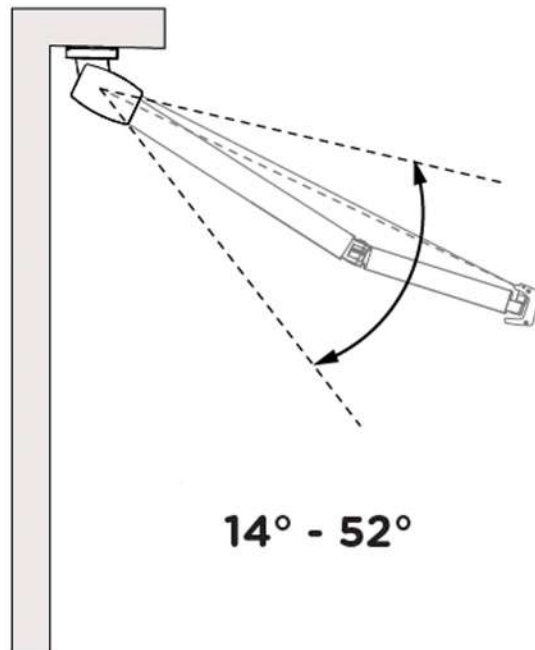
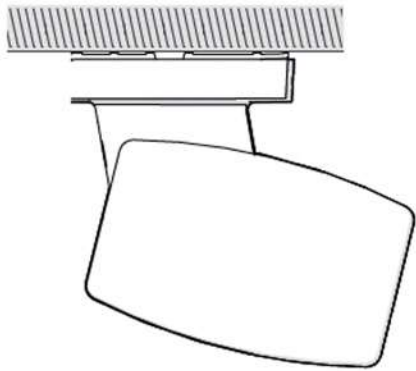
Wall Mounting



Mounting Types

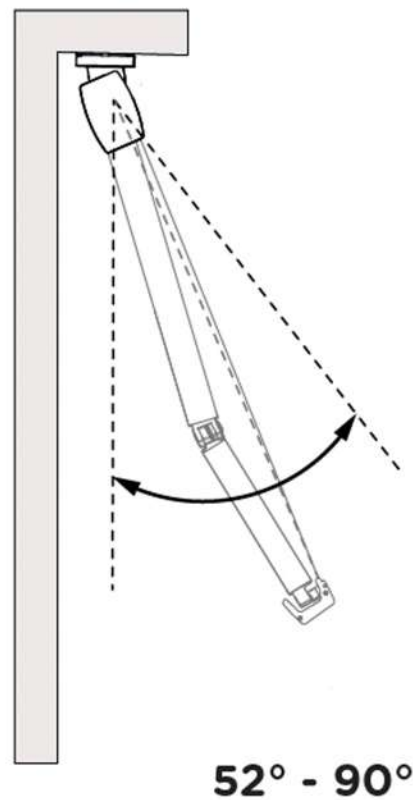
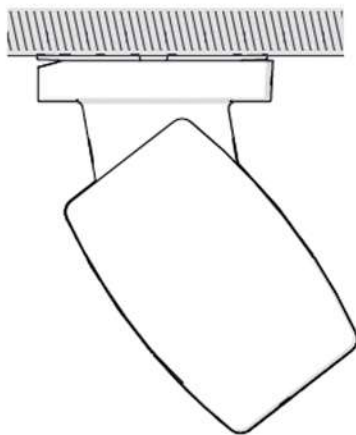
TYPE 3

Ceiling Mounted

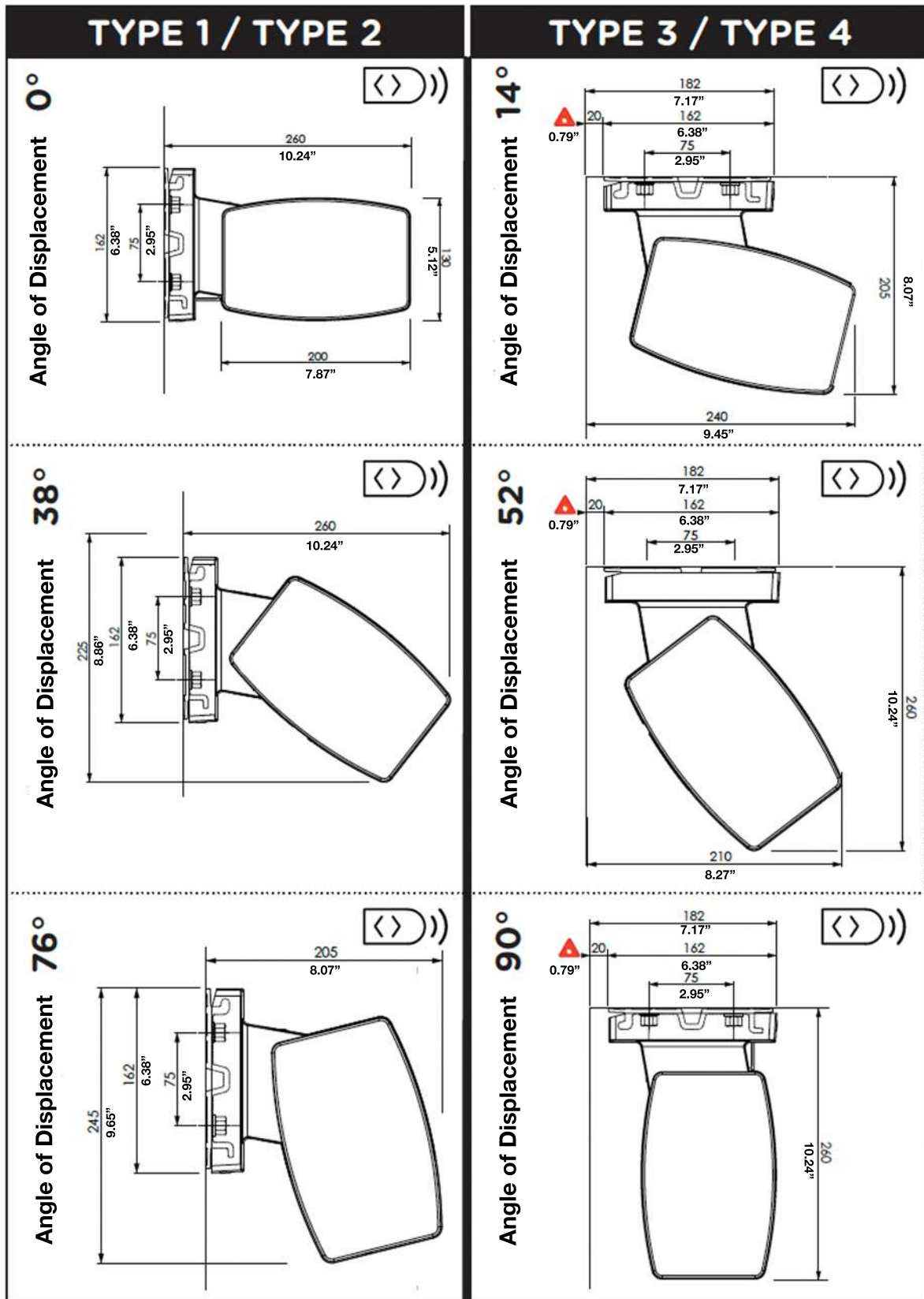


TYPE 4

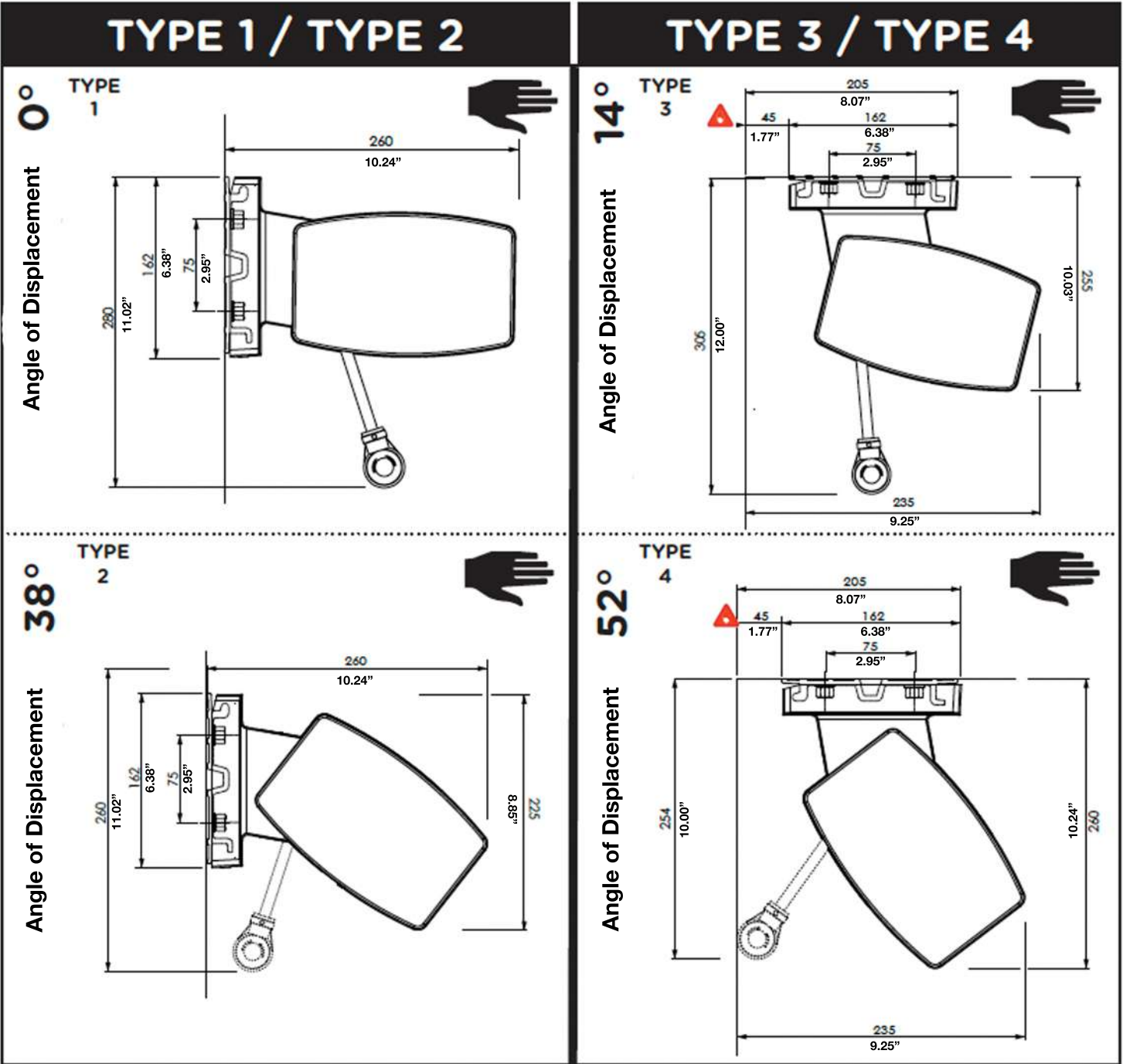
Ceiling Mounted



Dimensions

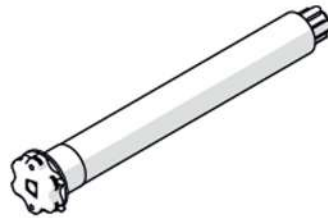


Dimensions

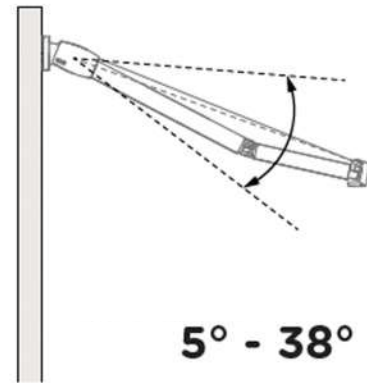
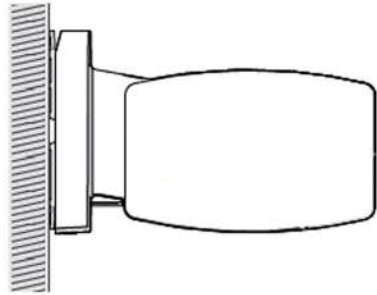


Operation

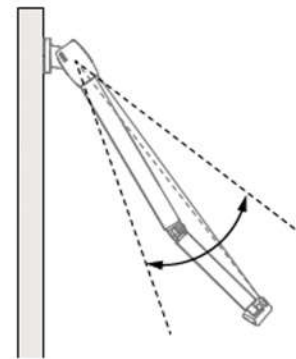
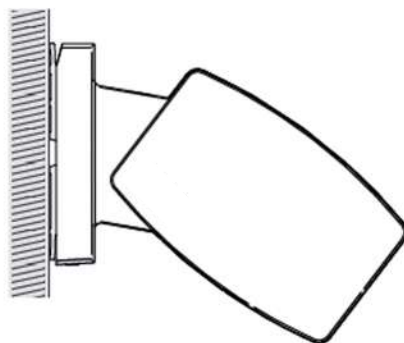
TYPE 1 - 2 Motor Operation



TYPE 1

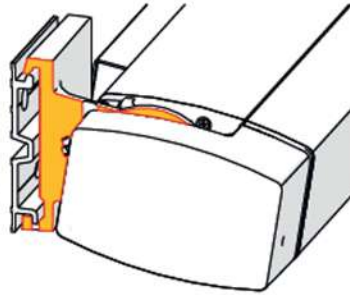
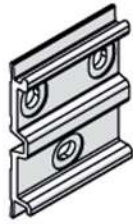
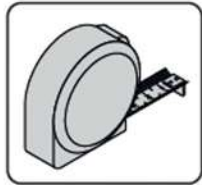


TYPE 2

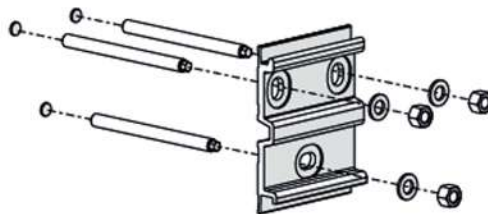
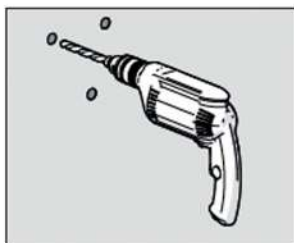
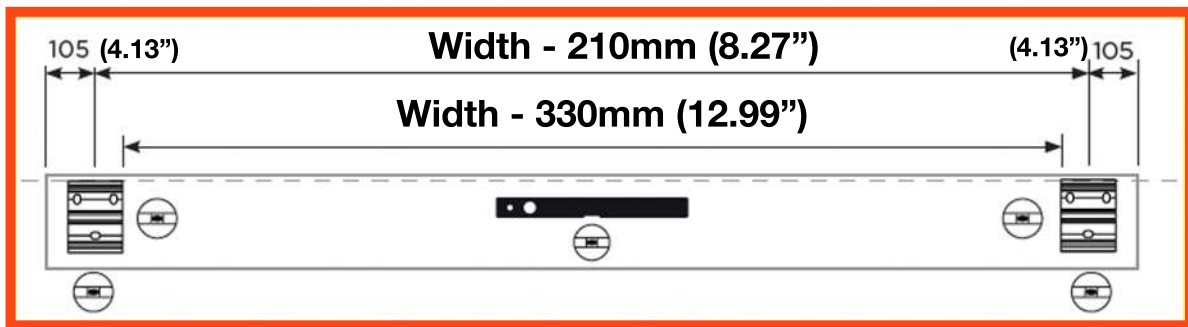
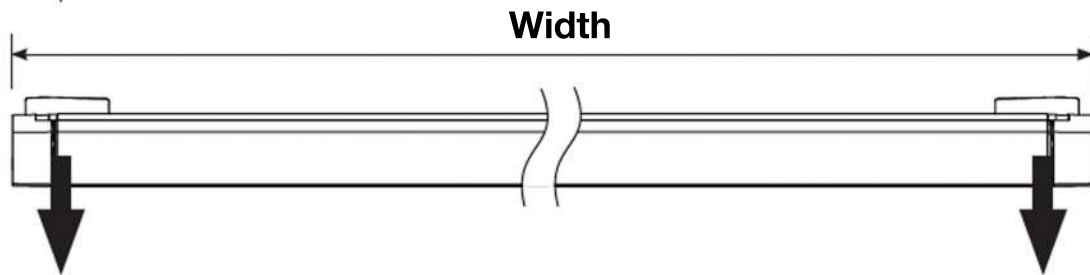


Mounting

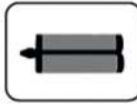
1



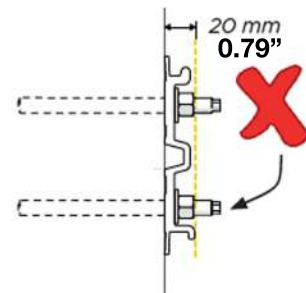
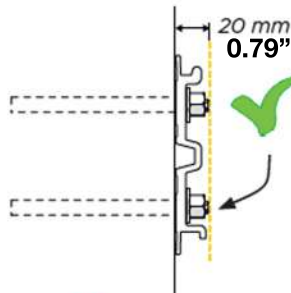
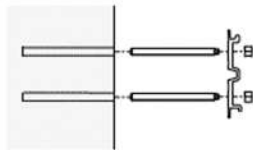
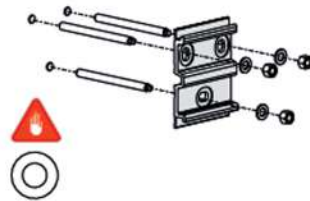
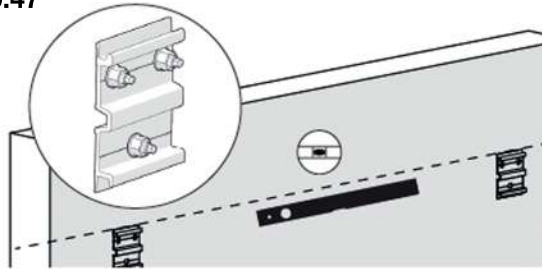
i



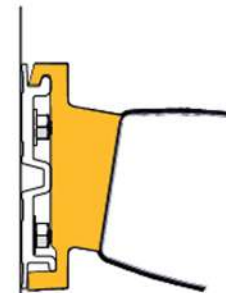
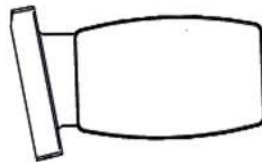
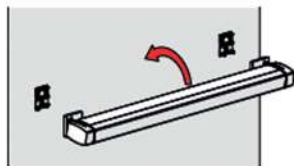
Mounting



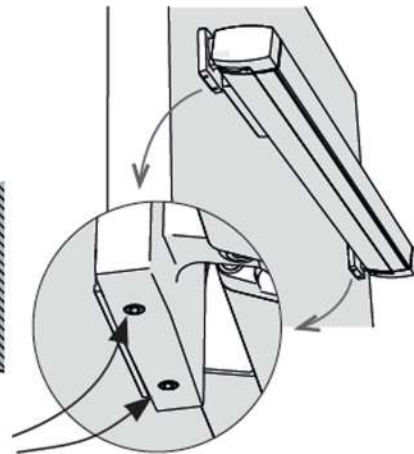
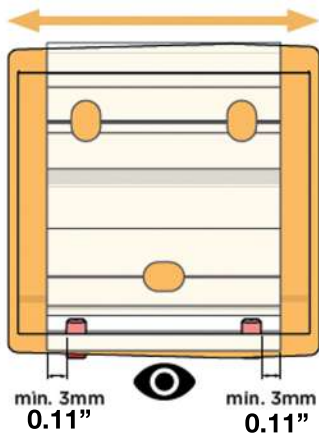
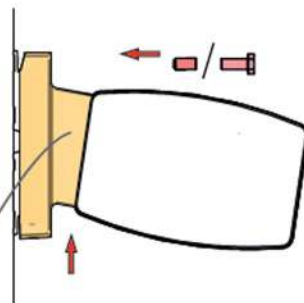
Ø
MIN.
12mm
0.47"



2



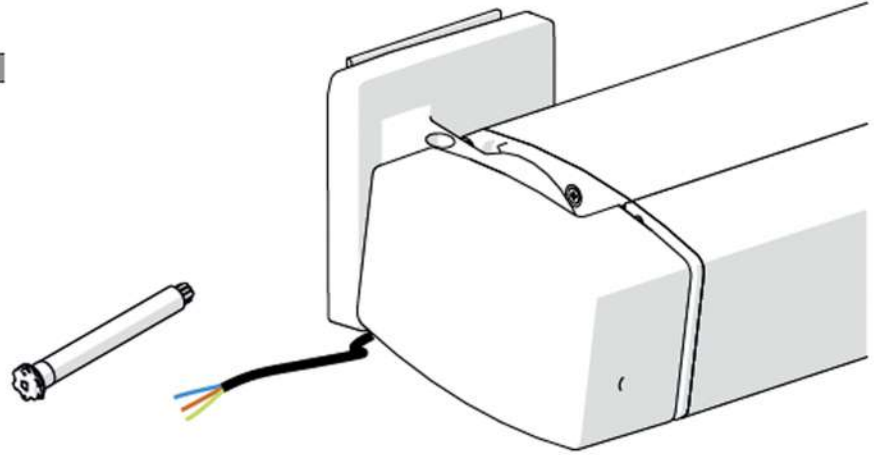
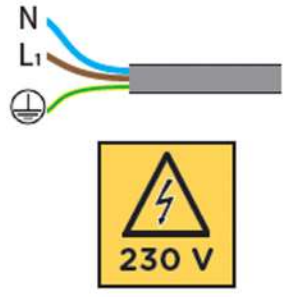
3



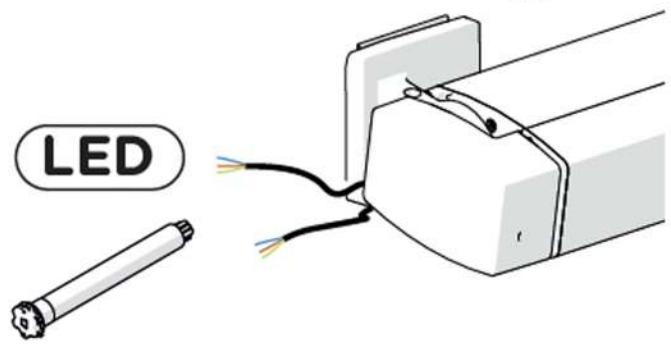
Mounting

4 Electrical Connection

TYPE 1 - 2

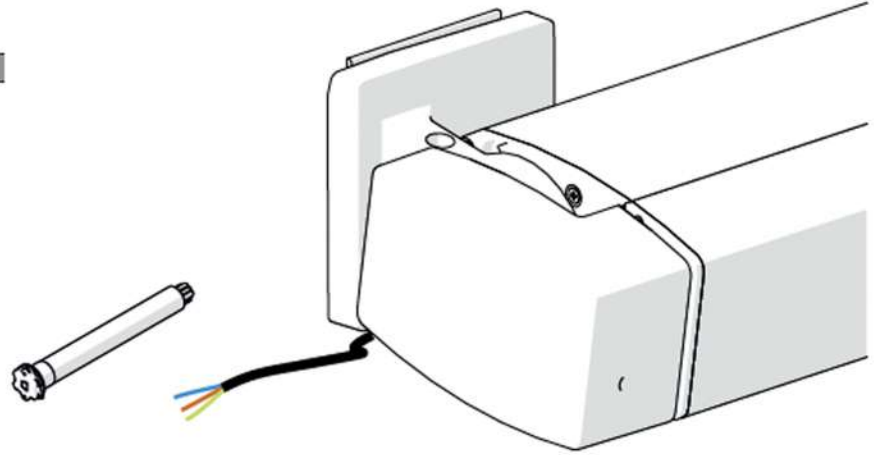
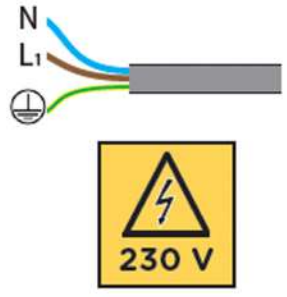


With LED Option

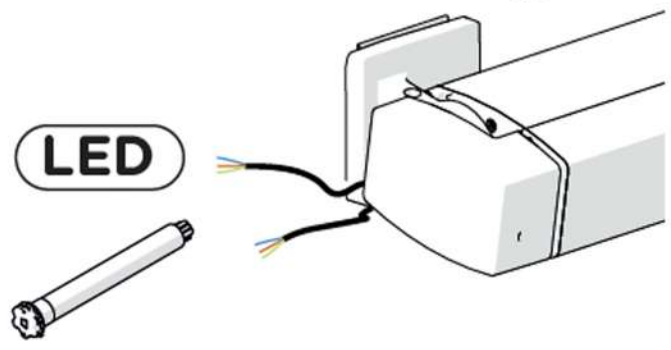


Mounting

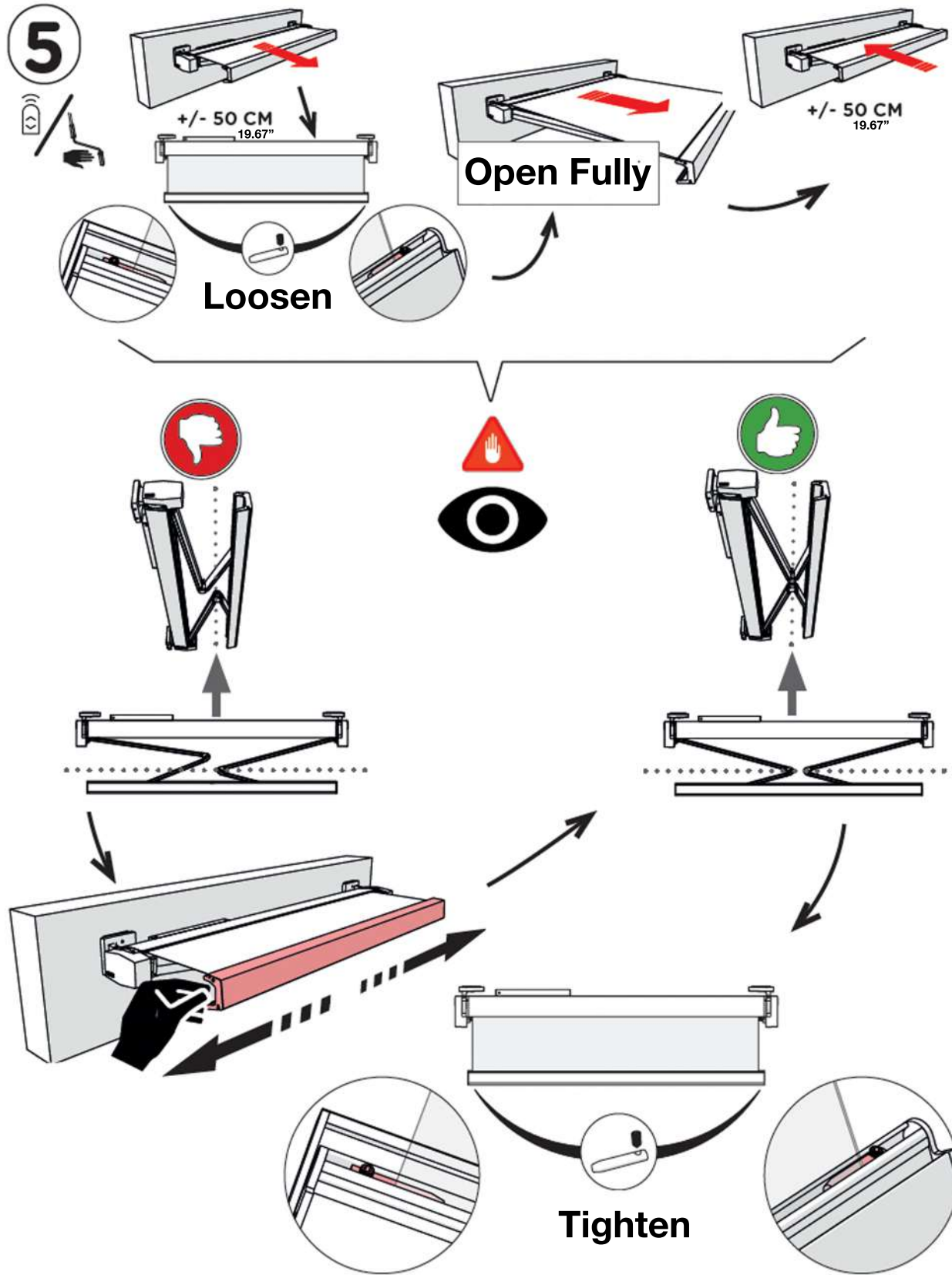
4 Electrical Connection



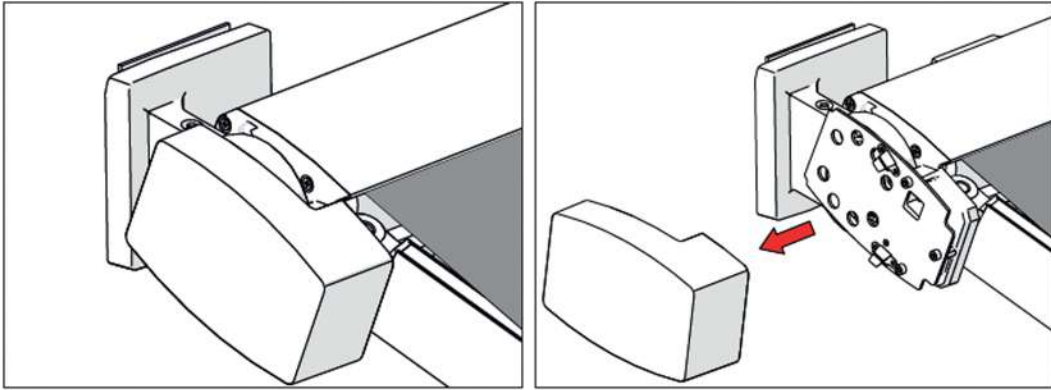
With LED Option



Mounting



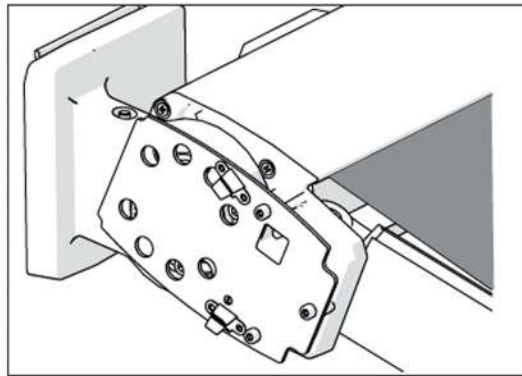
Mounting



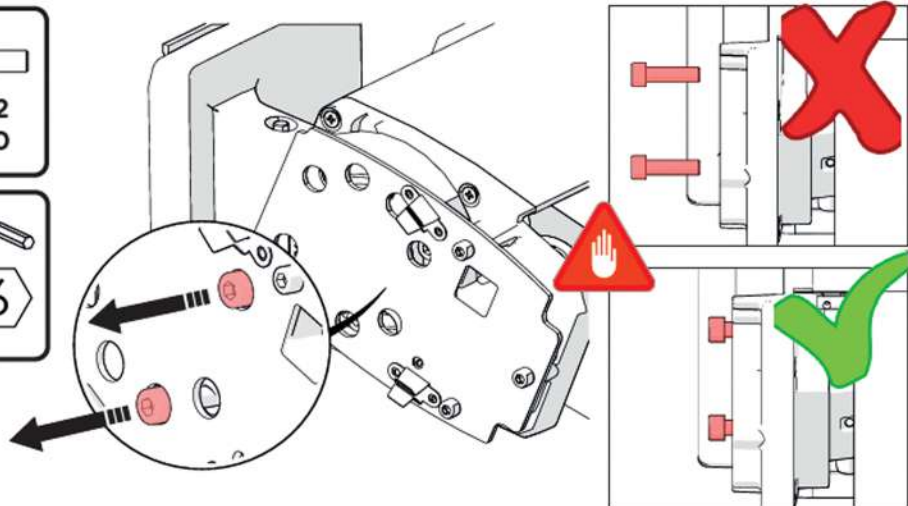
Crank Handle Operation



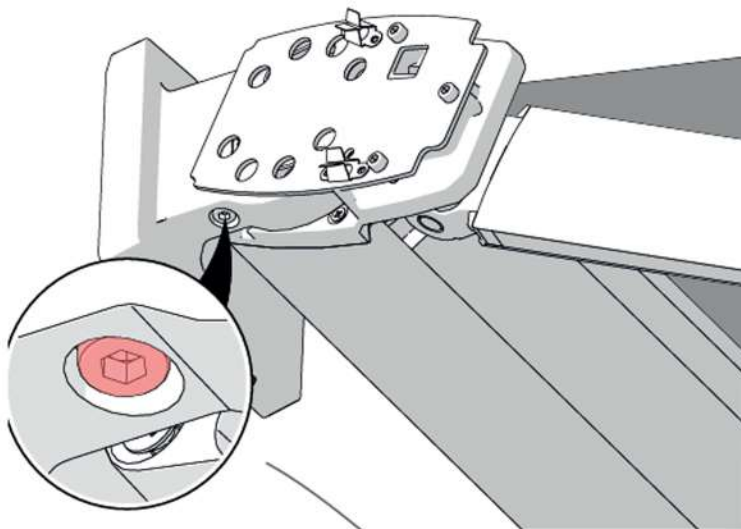
7



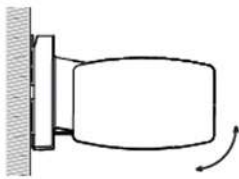
8



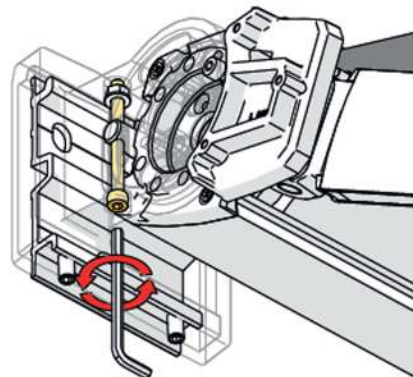
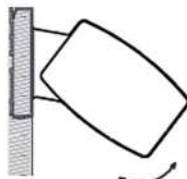
Mounting



TYPE 1



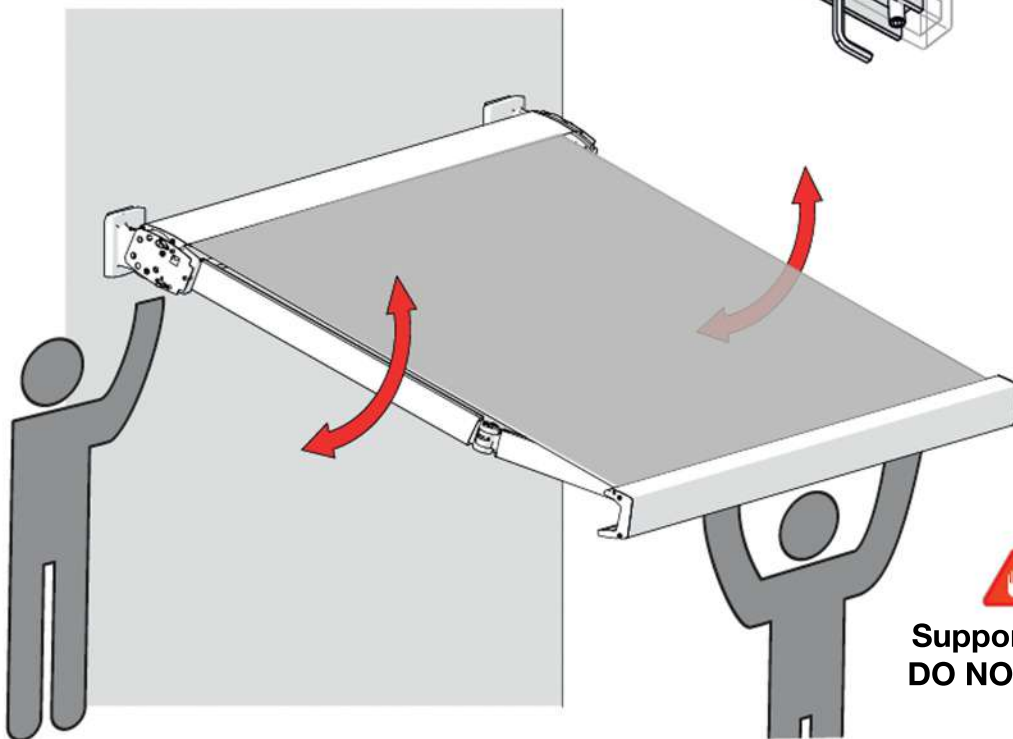
TYPE 2



Angle of Displacement

0° - 38°

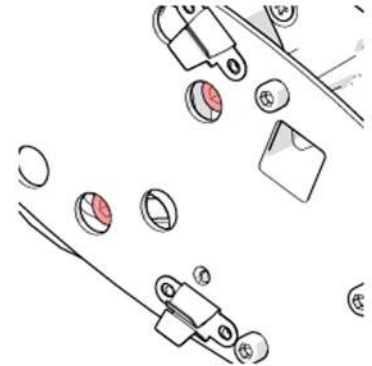
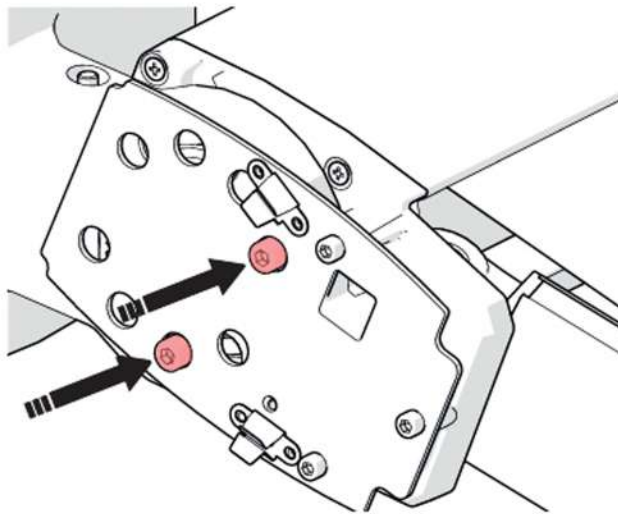
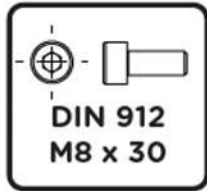
38° - 76°



**Support Only!
DO NOT PULL**

Mounting

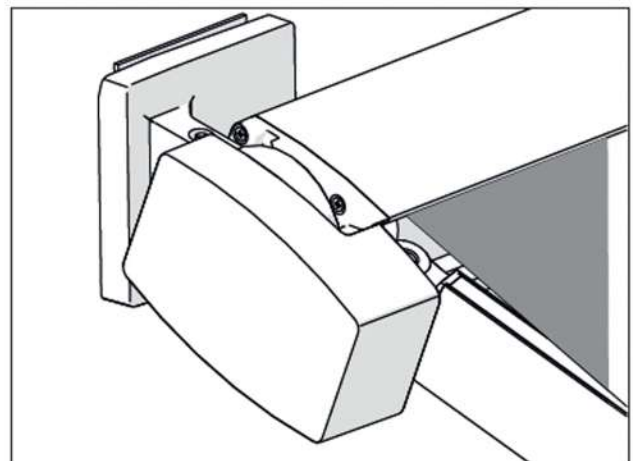
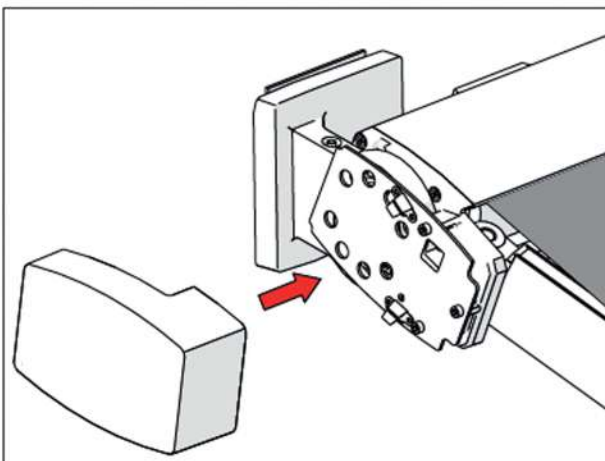
10



Crank Handle Operation



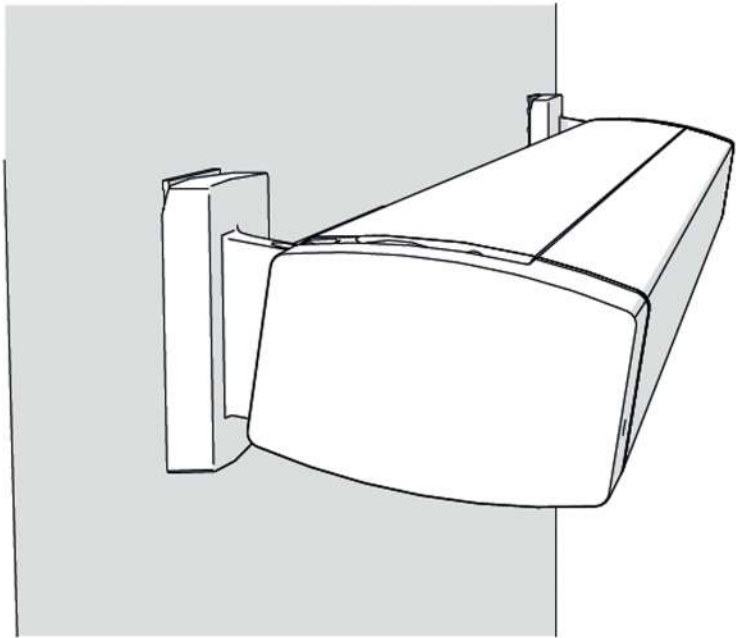
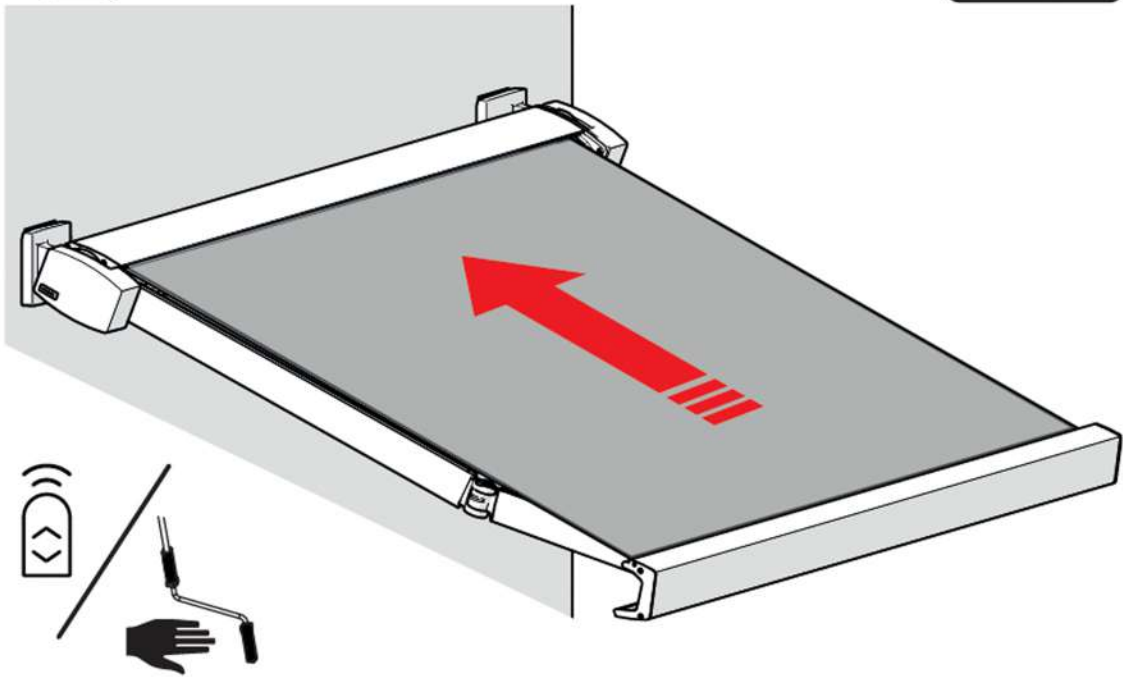
11



Mounting

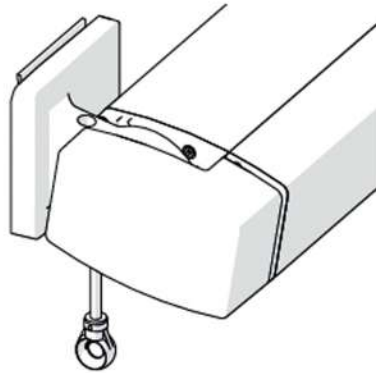
12

TYPE 1 - 2

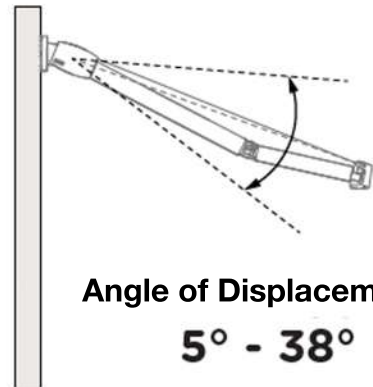
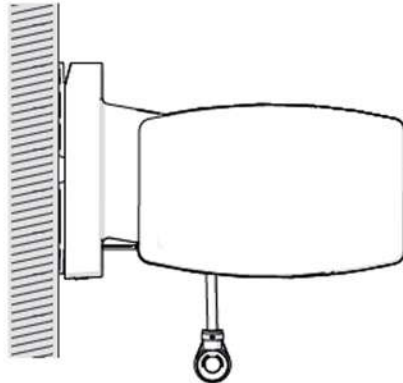


Mounting

TYPE 1 - 2 Crank Handle Operation

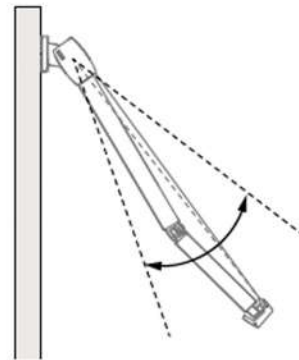
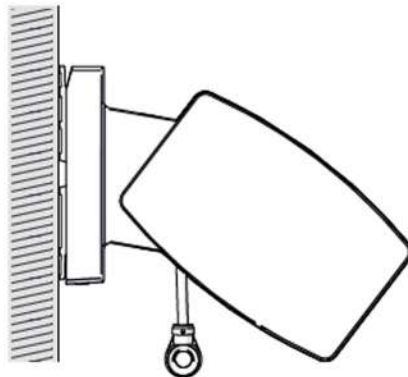


TYPE 1



Angle of Displacement
5° - 38°

TYPE 2

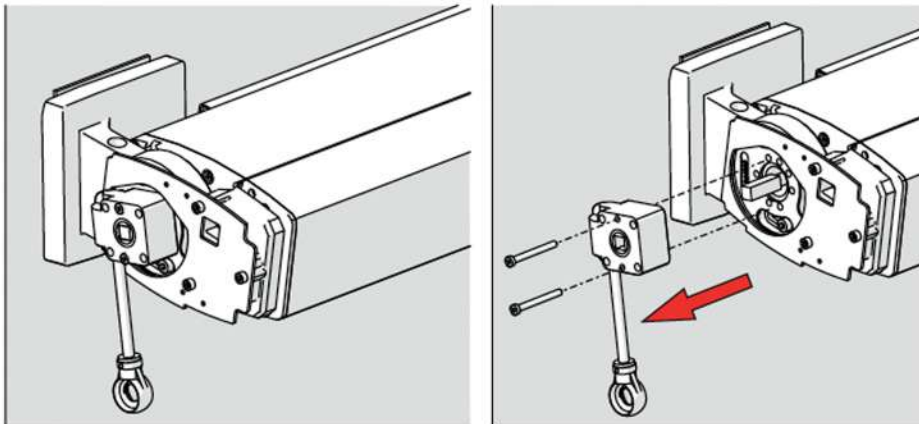
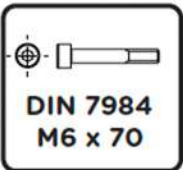


Angle of Displacement
38° - 76°

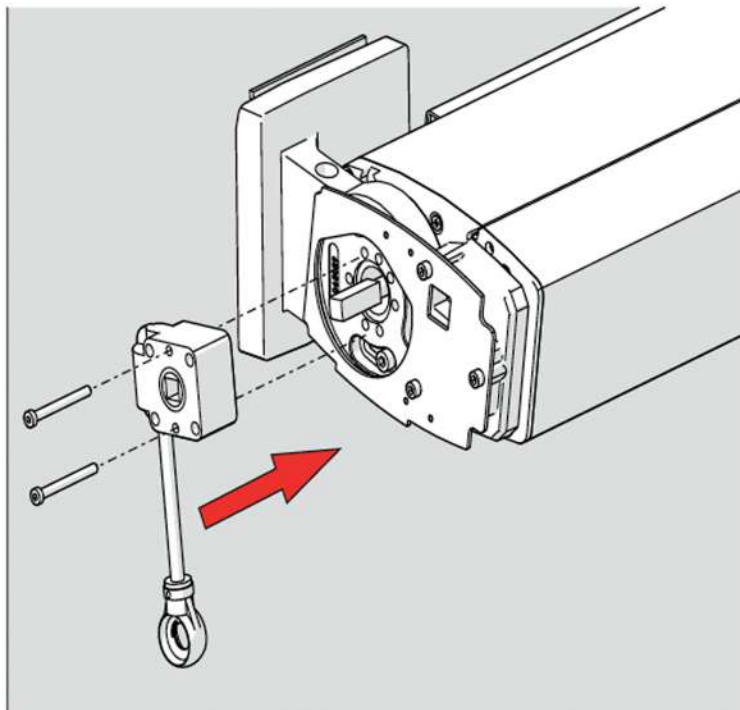
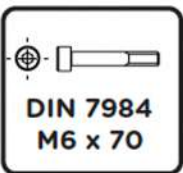
Mounting



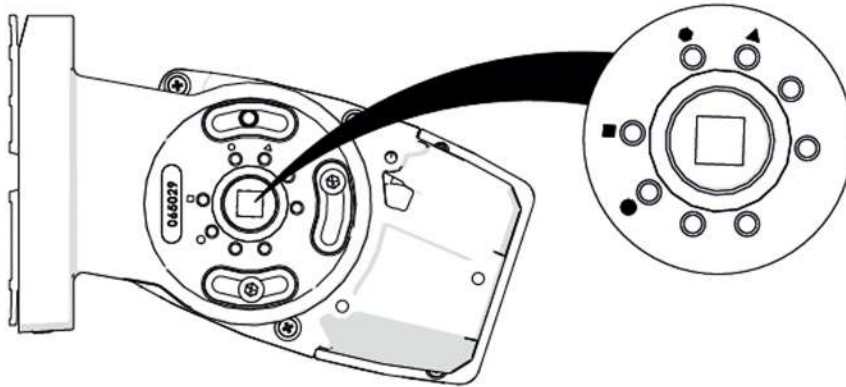
6+







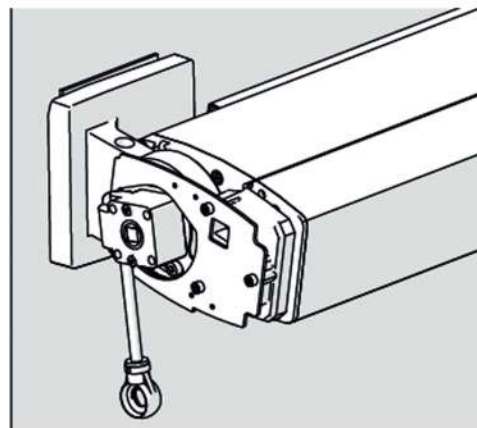
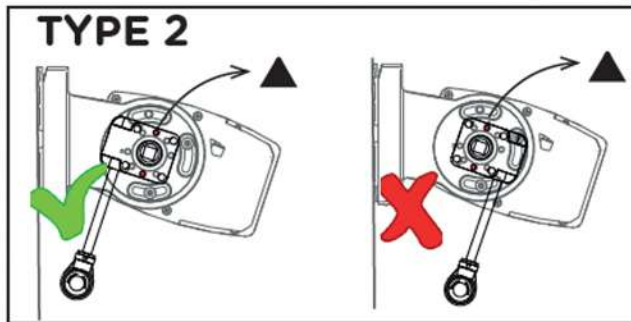
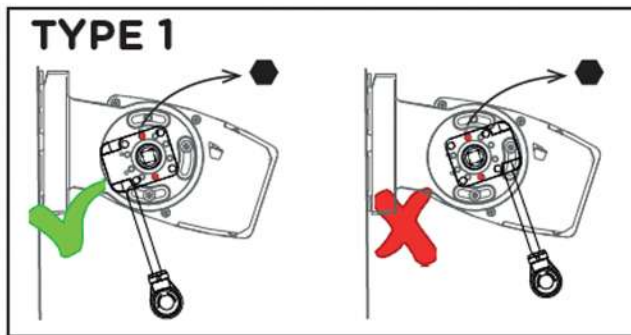
10+



Mounting

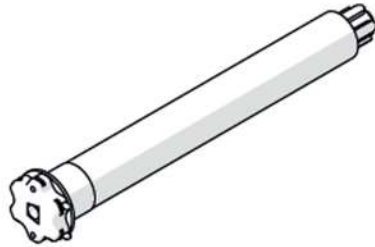


	TYPE 1
	TYPE 2
	TYPE 3
	TYPE 4

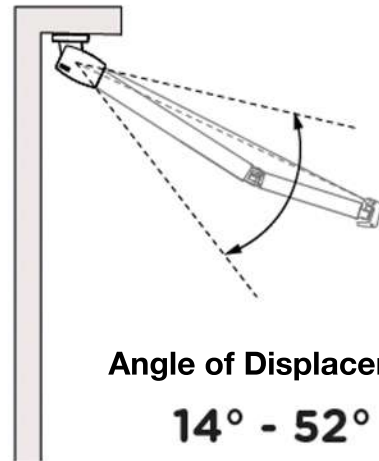
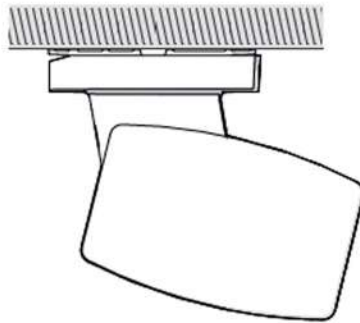


Mounting

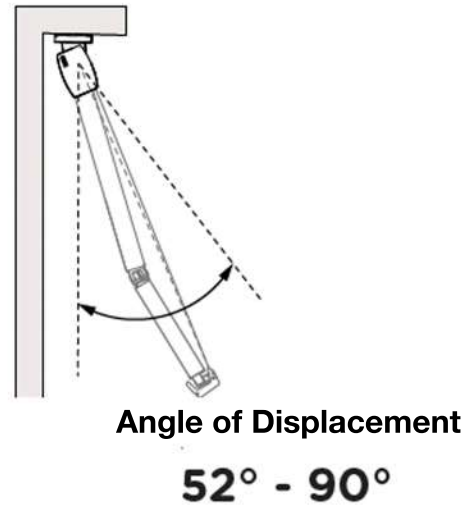
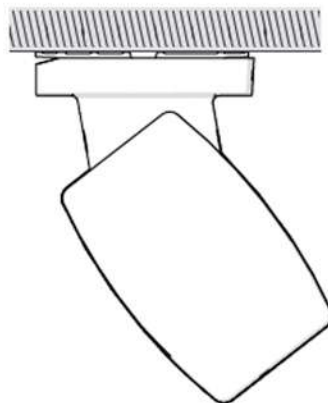
TYPE 3 - 4 Motor Operation



TYPE 3

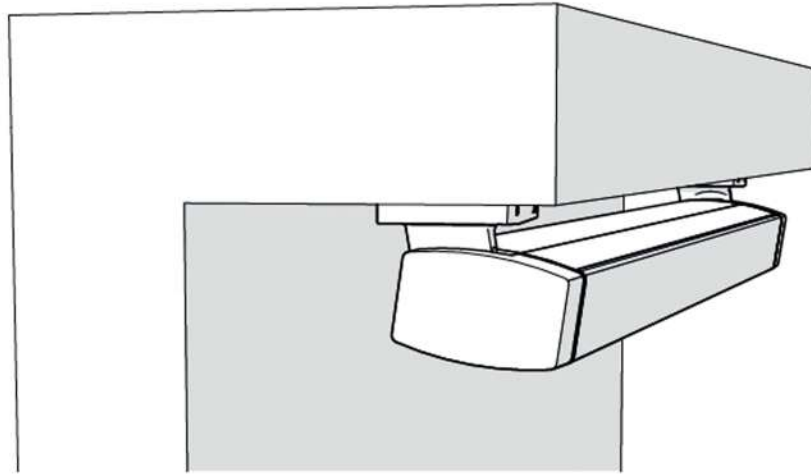


TYPE 4

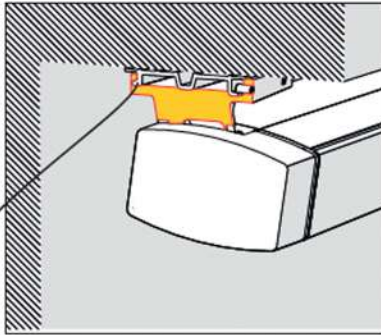
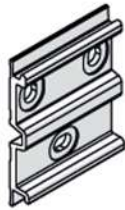
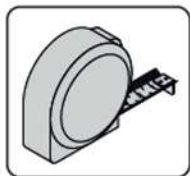


Mounting

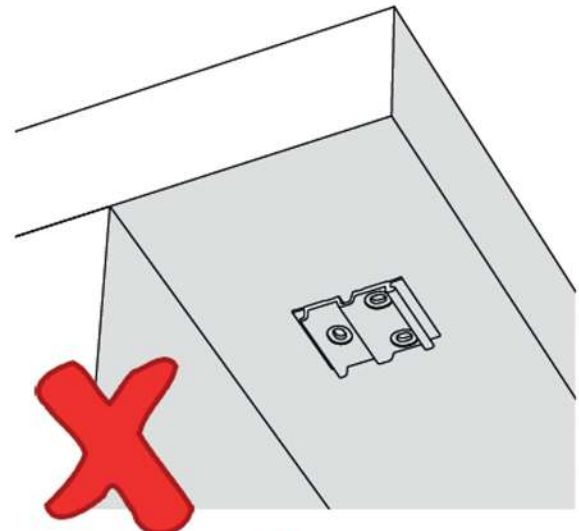
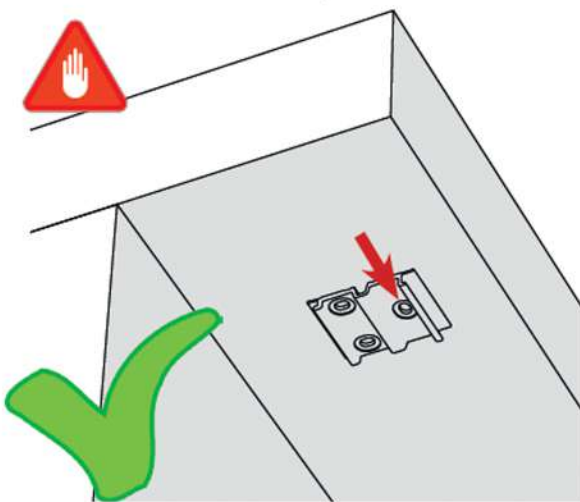
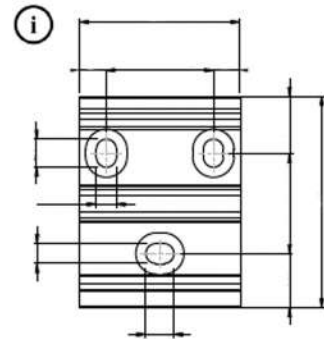
TYPE 3 - 4



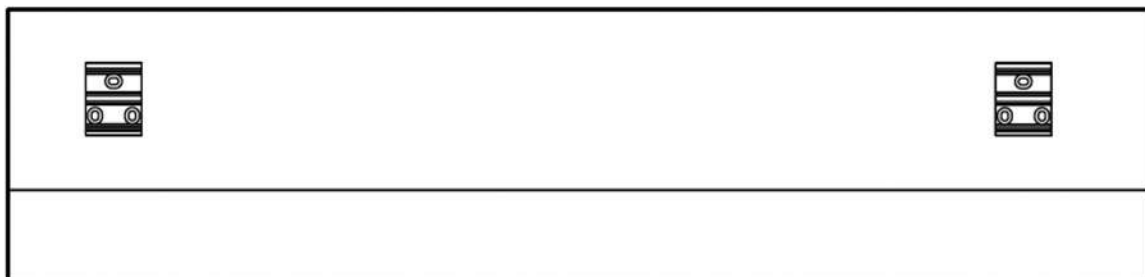
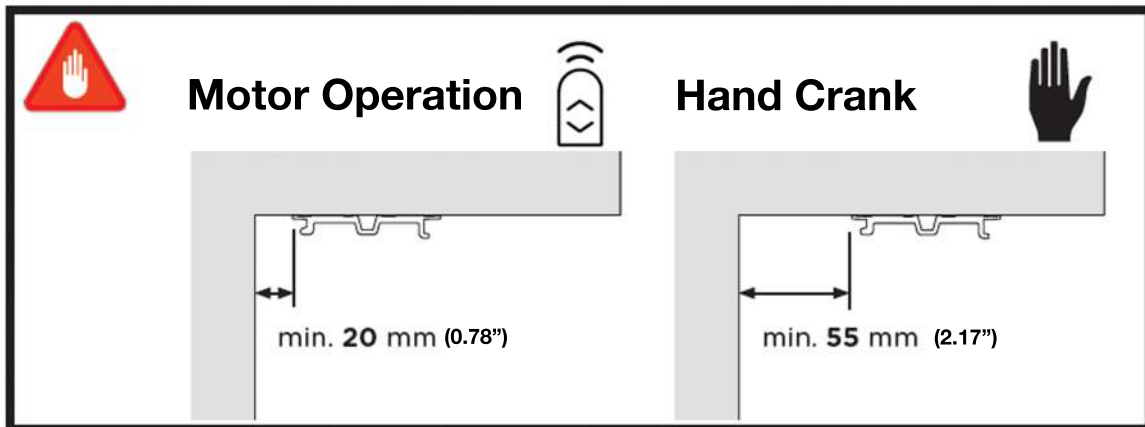
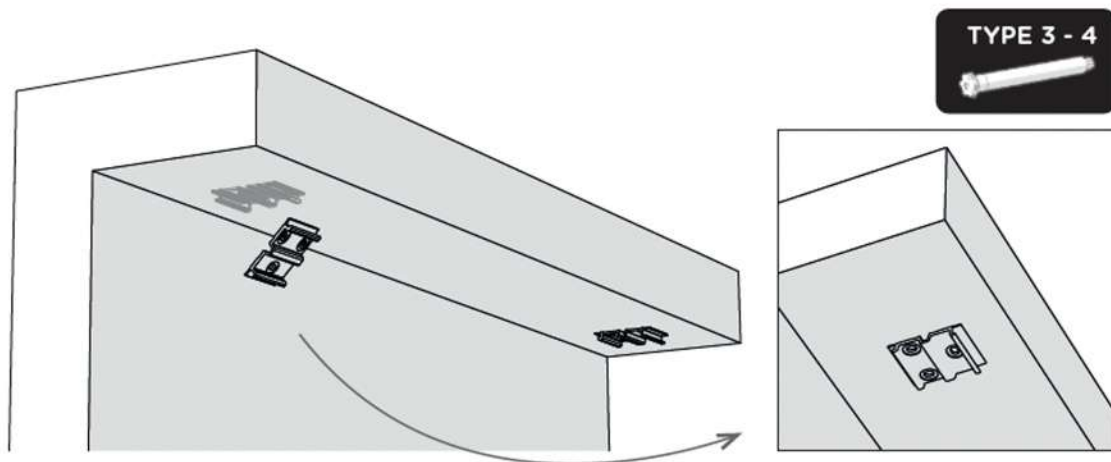
A



i



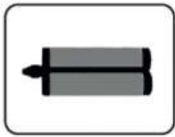
Mounting



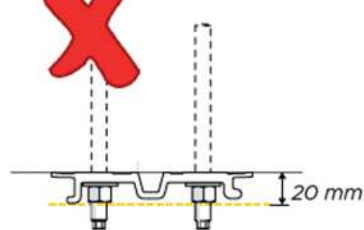
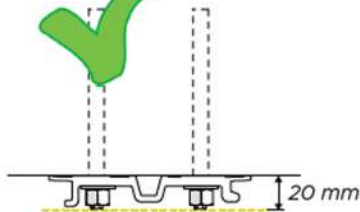
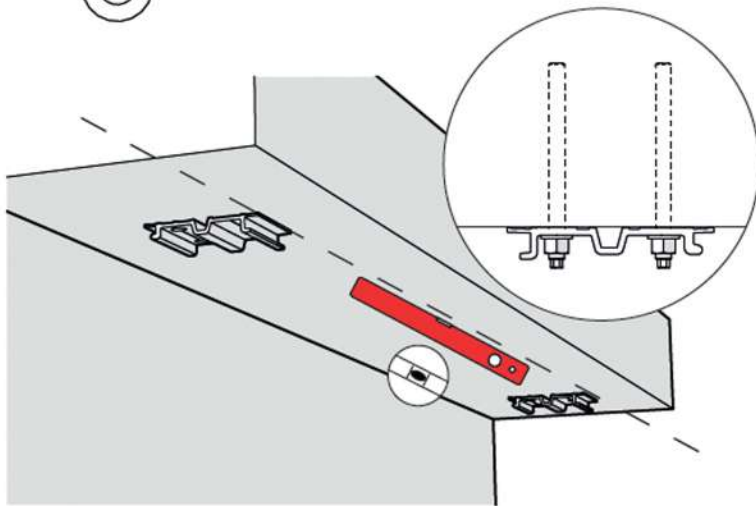
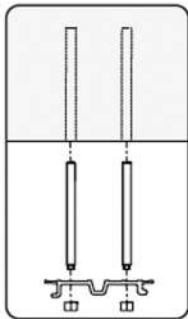
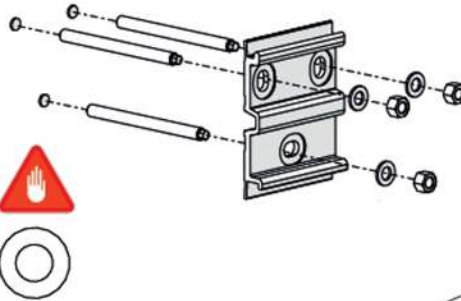
Mounting

B

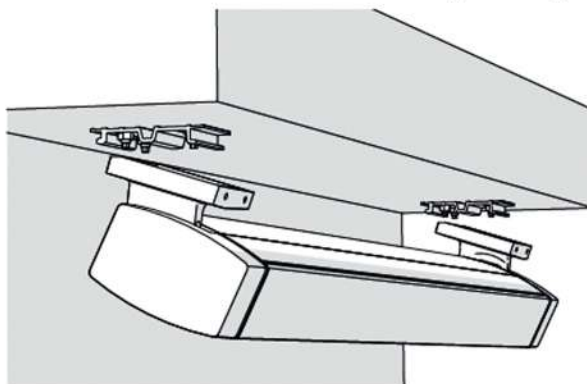
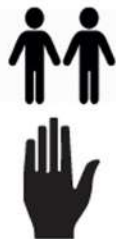
TYPE 3 - 4



Ø
MIN.
12mm
(0.47")

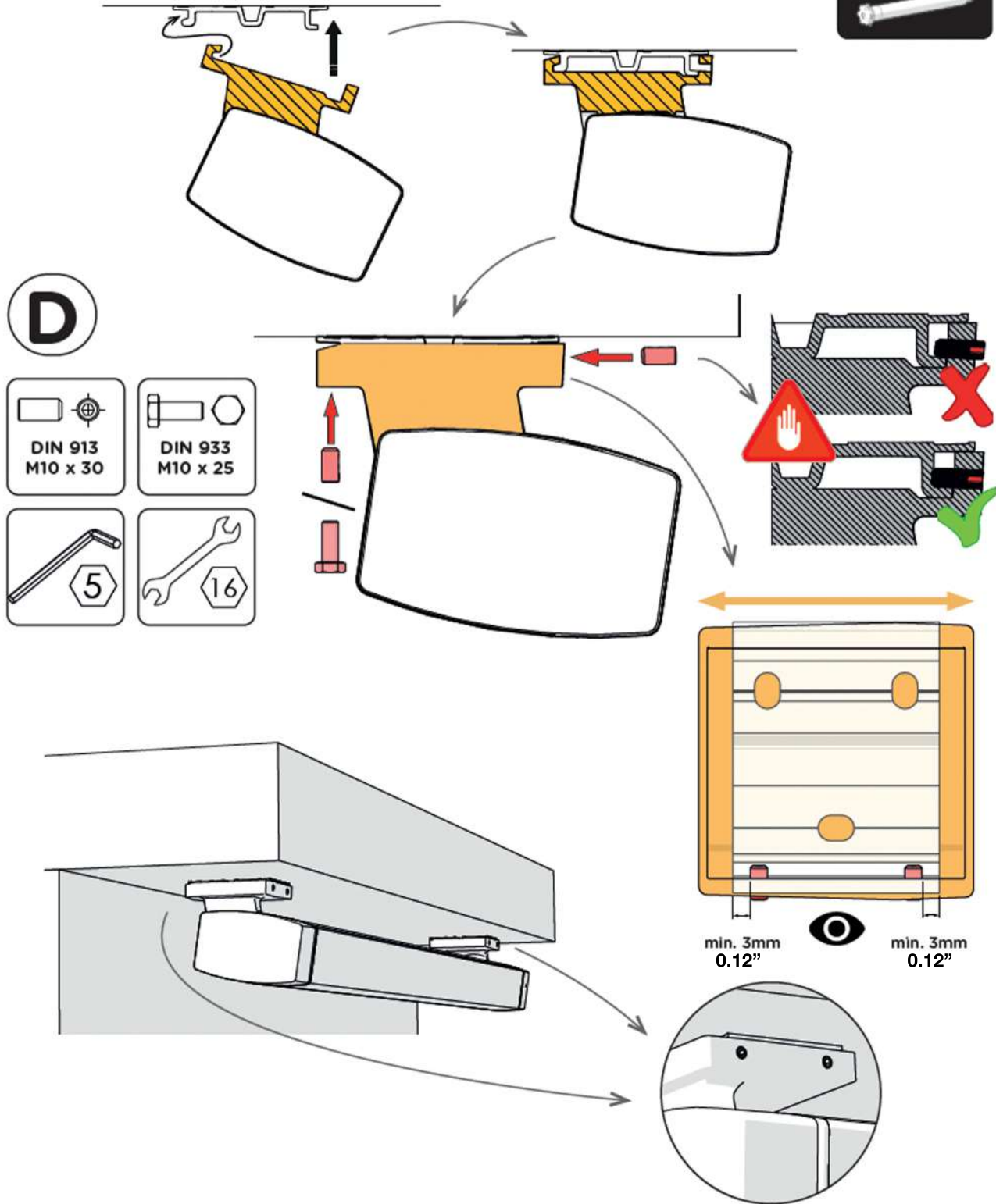


C



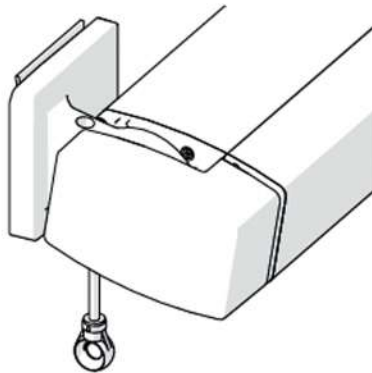
Mounting

TYPE 3 - 4

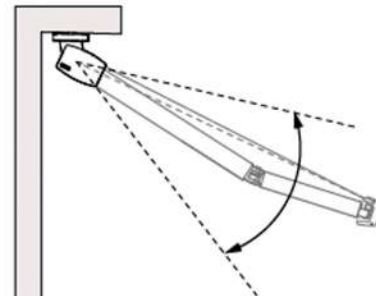
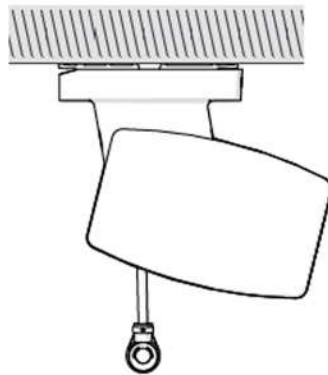


Mounting

TYPE 3 - 4 Crank Handle Operation

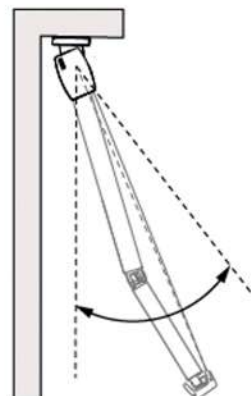
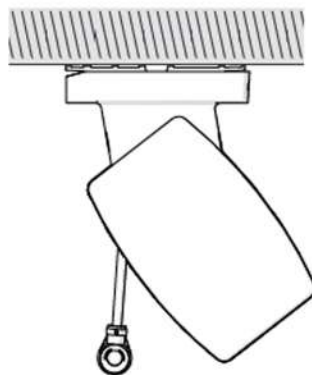


TYPE 3



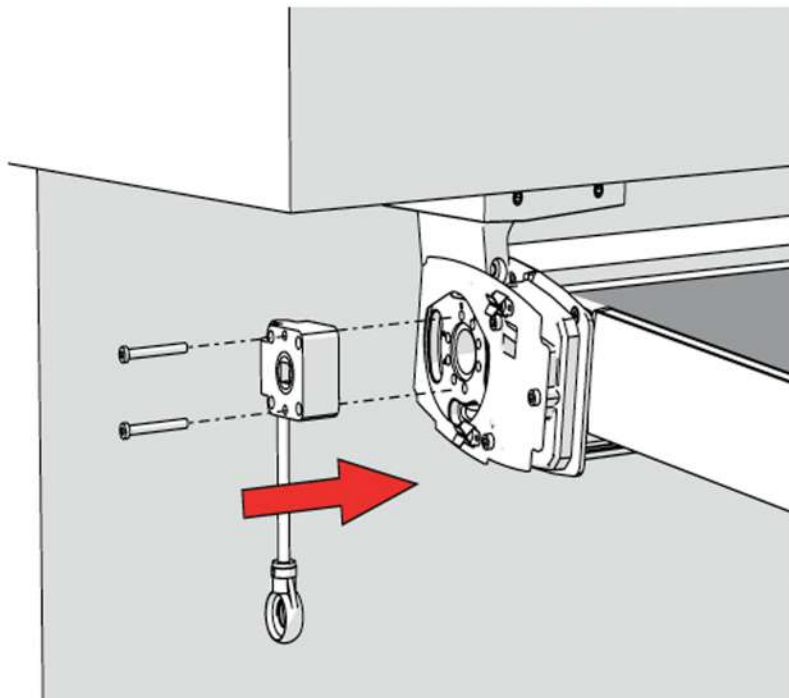
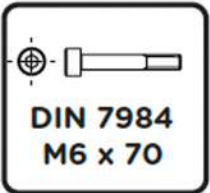
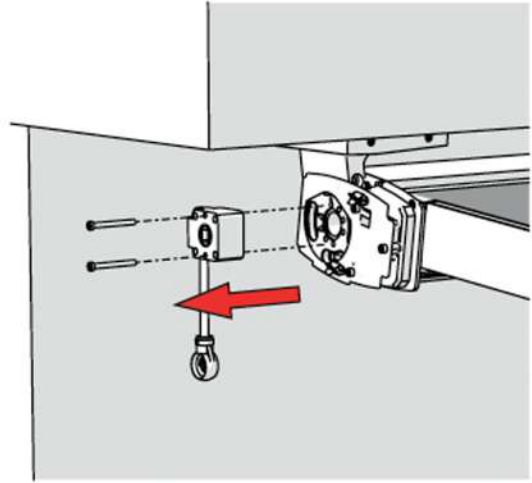
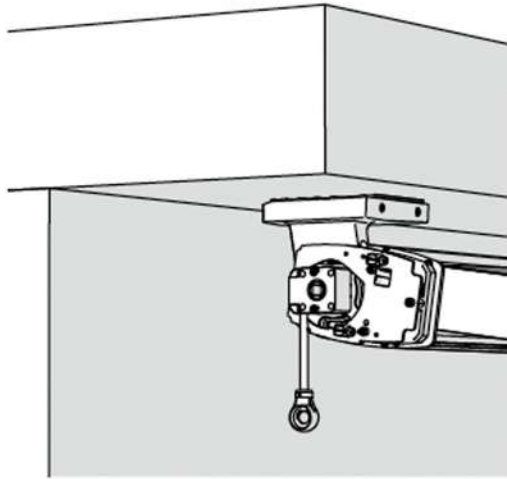
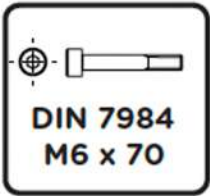
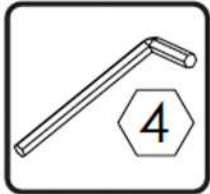
Angle of Displacement
14° - 52°

TYPE 4

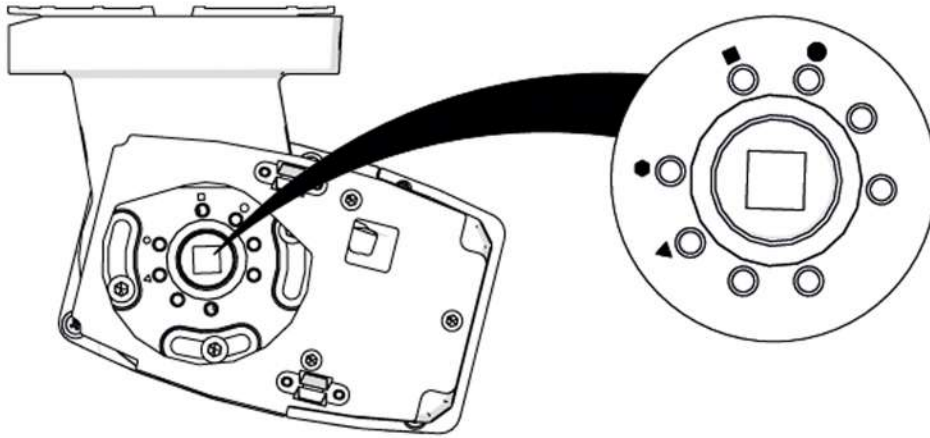






Angle of Displacement
52° - 90°

Mounting

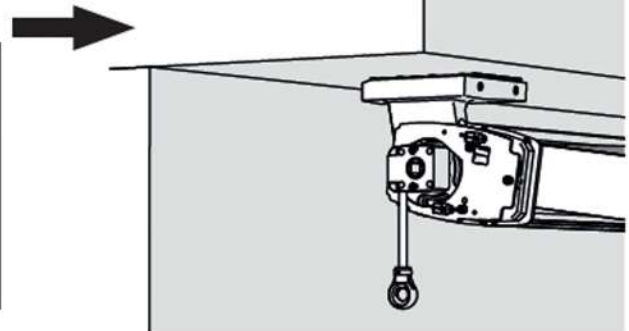
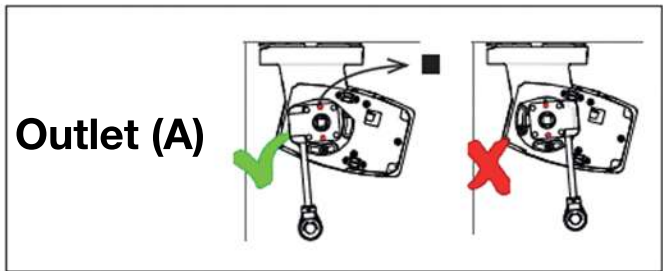


Mounting

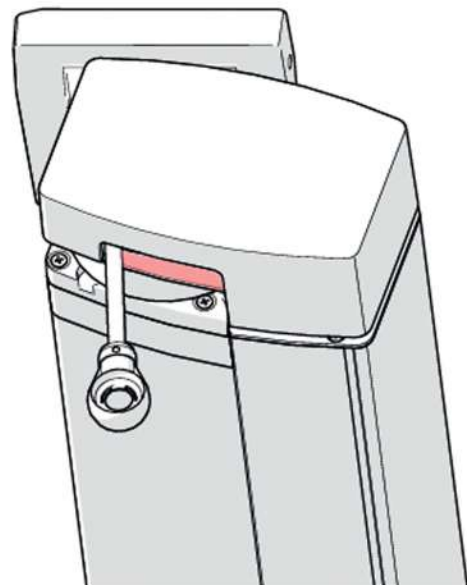
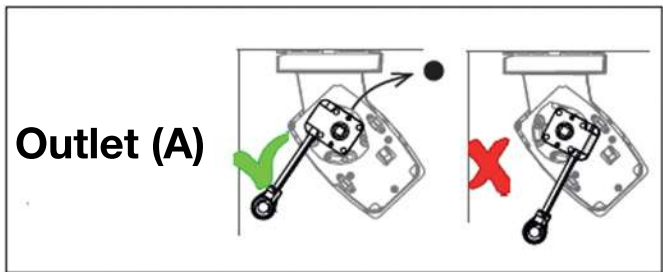


	TYPE 1
	TYPE 2
	TYPE 3
	TYPE 4

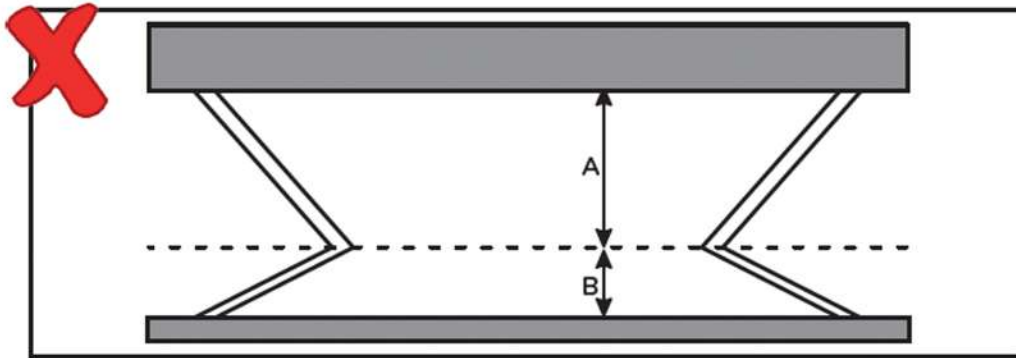
TYPE 3



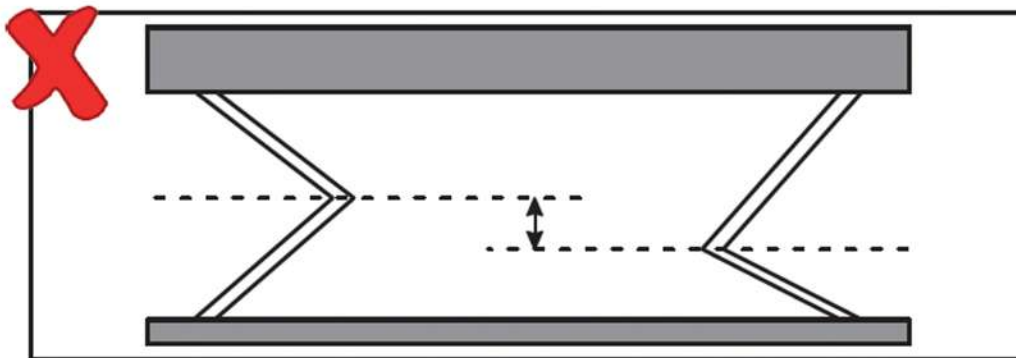
TYPE 4



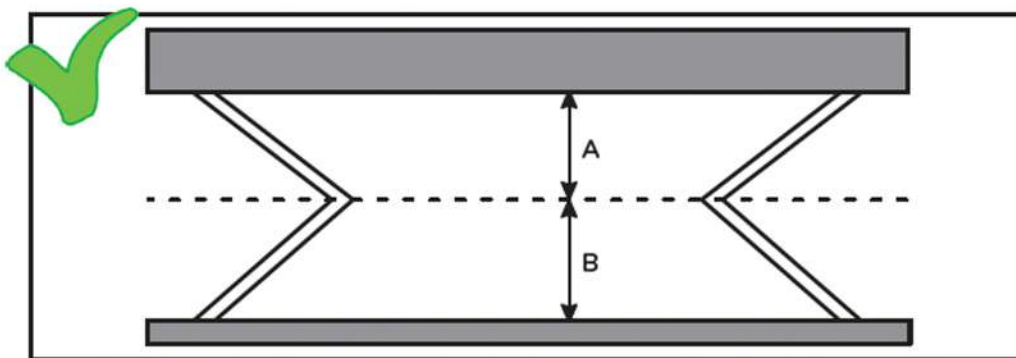
Mounting



Faulty: There is no symmetry, distance A does not correspond with distance B

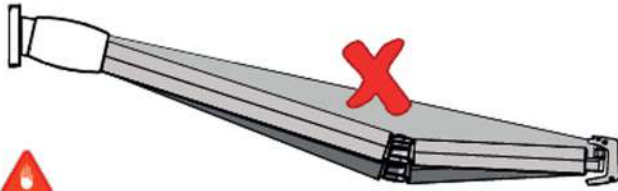


Faulty: The articulated points are not in one, parallel line

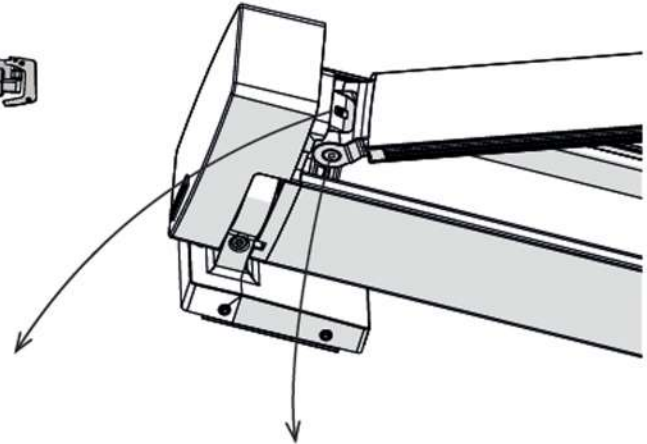


Correct: The articulated points are parallel and distance A is equal to that of distance B

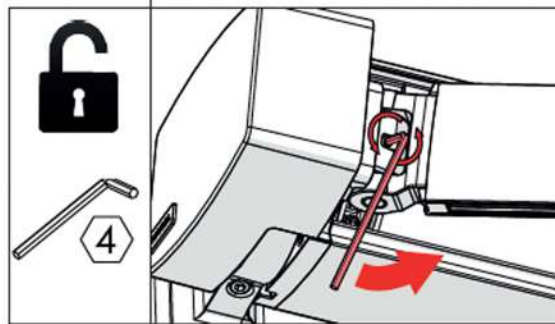
Fine Tuning



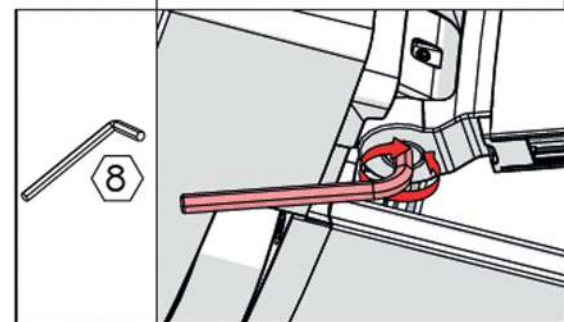
Only possible for awnings fitted with LED folding arms



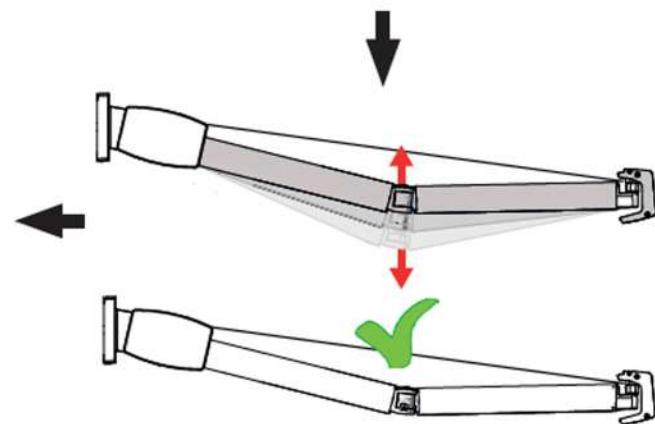
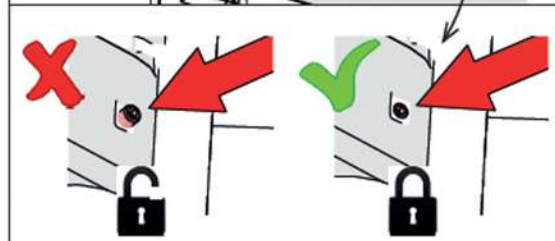
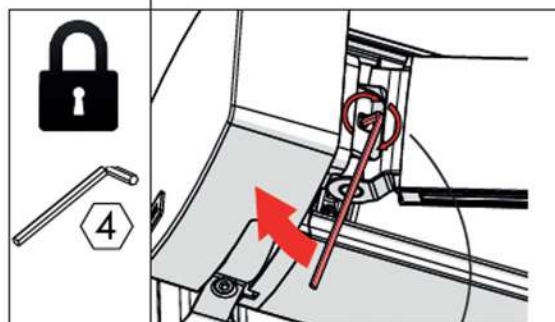
1.	Loosening the lock of the eccentric hinge axle
-----------	--



2.	Fine tuning of the arm by turning the eccentric axle
-----------	--



3.	Lock the eccentric hinge axle
-----------	-------------------------------



Electrical Layout

RTS LED

