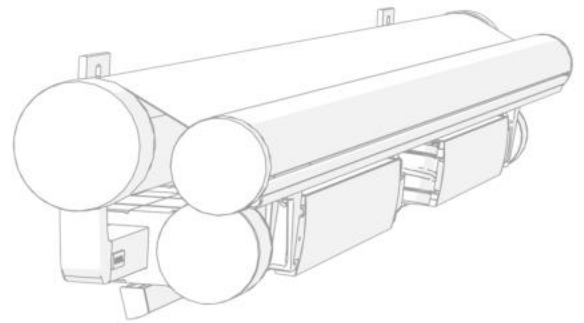


## TA - 3 Series Retractable Awning Installation Guide



### **If nothing else, at least read this page!**

Talius has been producing retractable awnings since 2024 and in that time we have found that most issues experienced are related to the product installation. It is essential to follow the installation guidelines. We urge installers to take the time now to read the instructions and avoid costly, time-consuming problems later. It is only necessary to read through a small fraction of this booklet as it covers all types of Awning installations.

We hope that this installation guide is easy to use. Should you discover an error or an omission please tell us about it. Parts and options change continually so we are updating all the time.

Should you require any support or have any questions, please call us from site:  
888-550-6205

We thank you for putting your trust in us.

Sincerely,

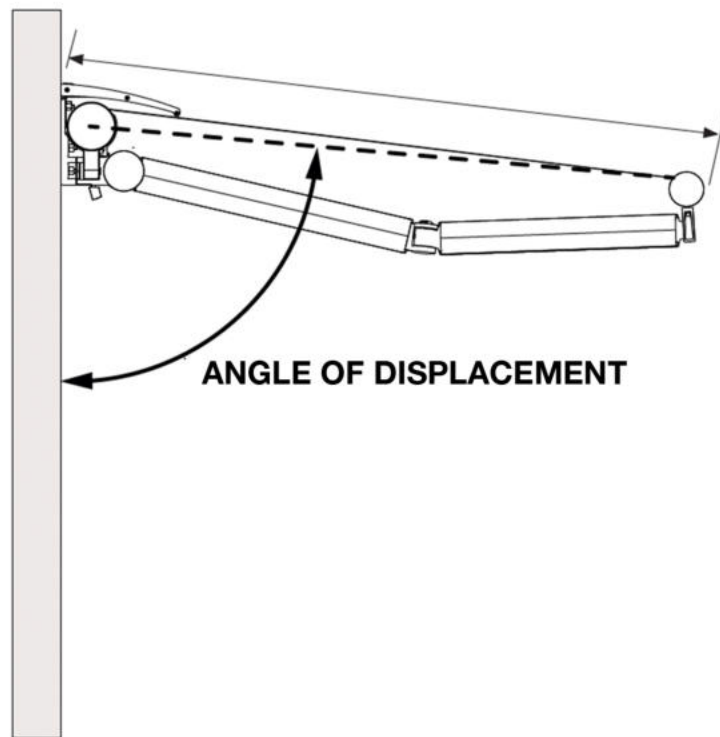
Your Talius Customer Service Team



WIDTH **B**



SLOPE **U**



ANGLE OF DISPLACEMENT

MOTOR OPERATION

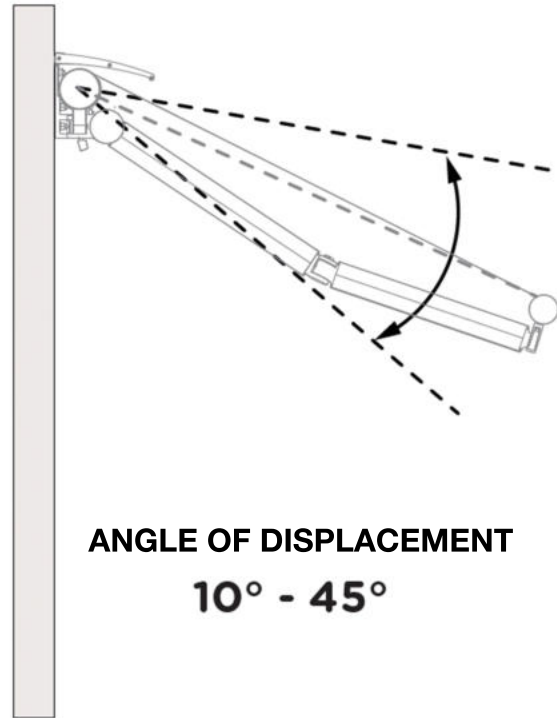
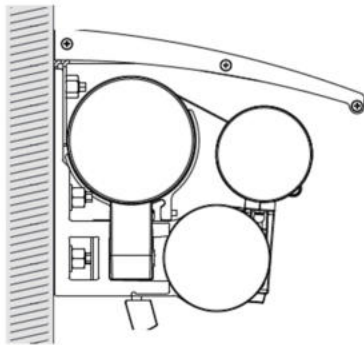


CRANK HANDLE OPERATION



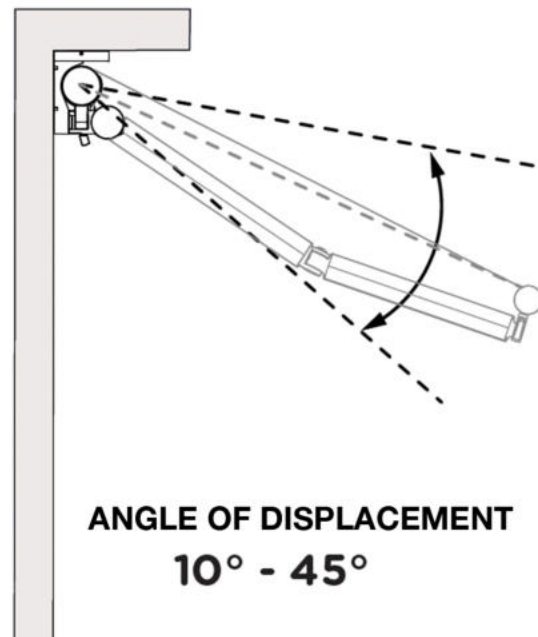
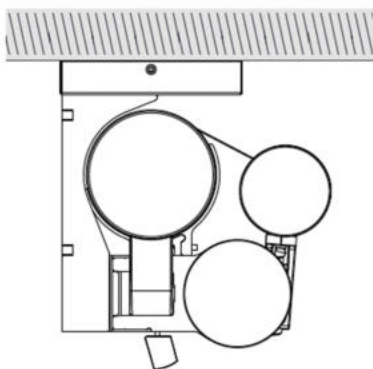
# MOUNTING TYPES

## WALL MOUNTING

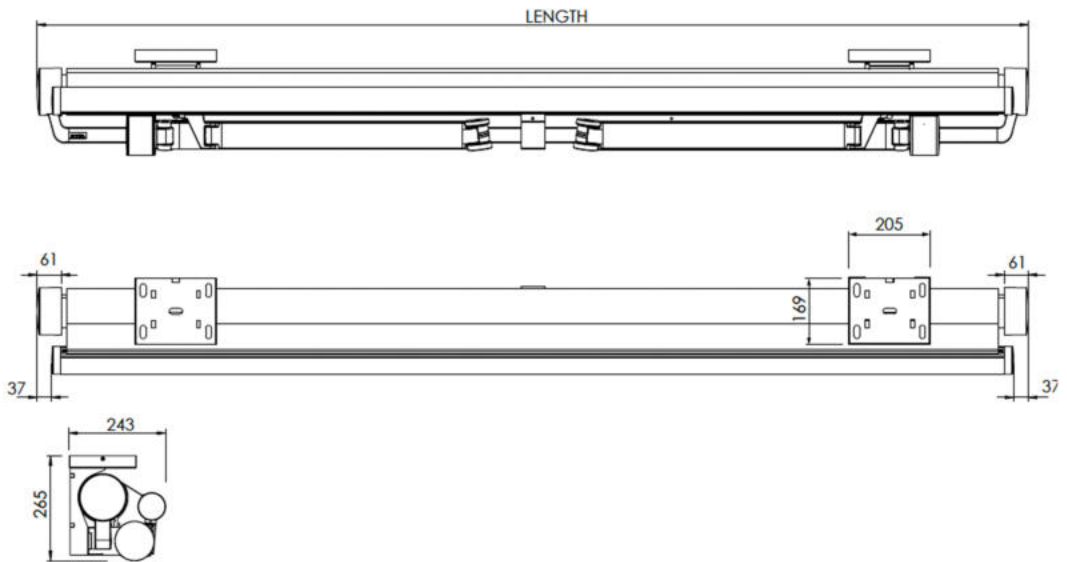
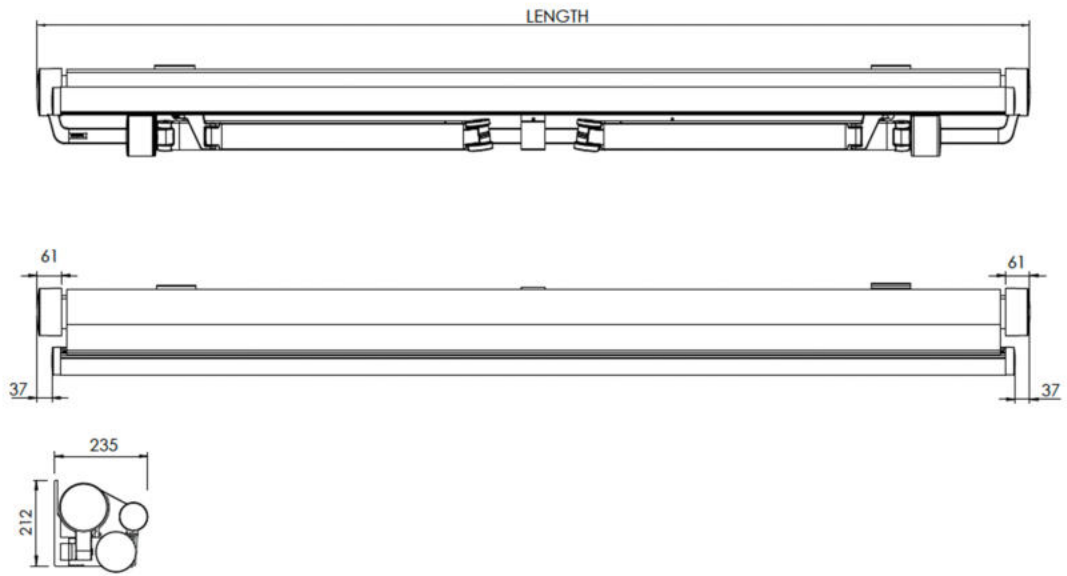


ANGLE OF DISPLACEMENT  
 $10^{\circ} - 45^{\circ}$

## CEILING MOUNTING



ANGLE OF DISPLACEMENT  
 $10^{\circ} - 45^{\circ}$



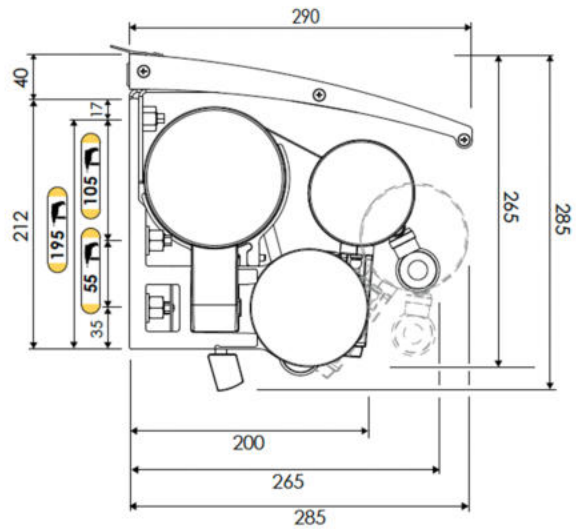
# DIMENSIONS

- VARIOVOLANT
- LED

**WALL MOUNTING**



**CRANK HANDLE OPERATION**

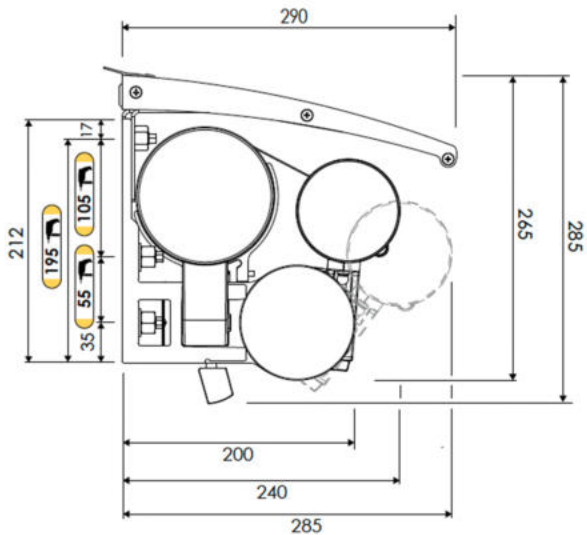


- VARIOVOLANT
- LED

**WALL MOUNTING**



**ELECTRIC MOTOR OPERATION**

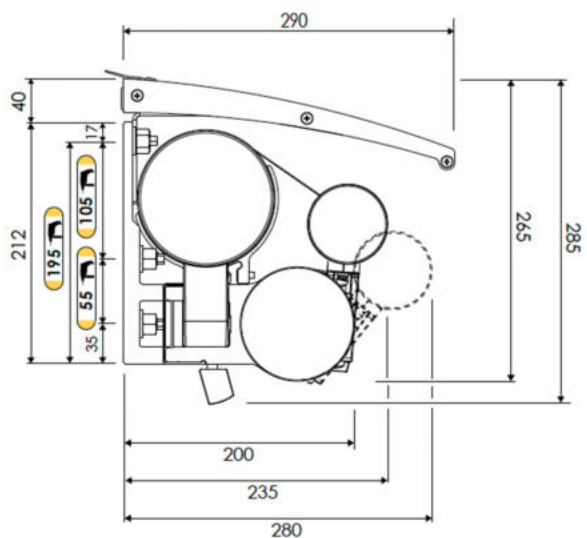


- LED

**WALL MOUNTING**



**ELECTRIC MOTOR OPERATION**



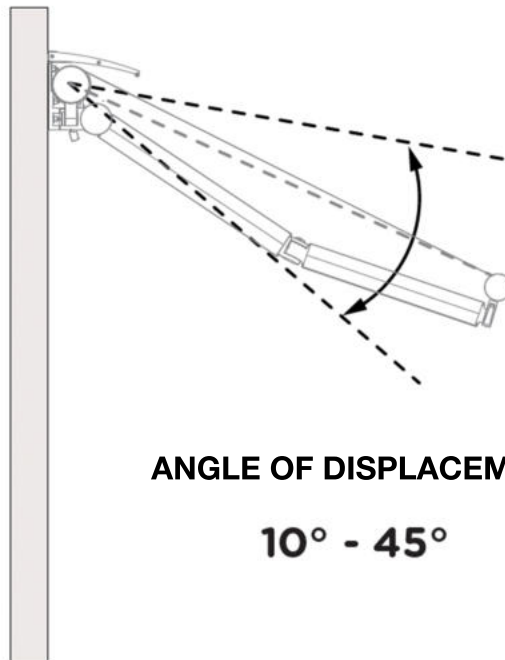
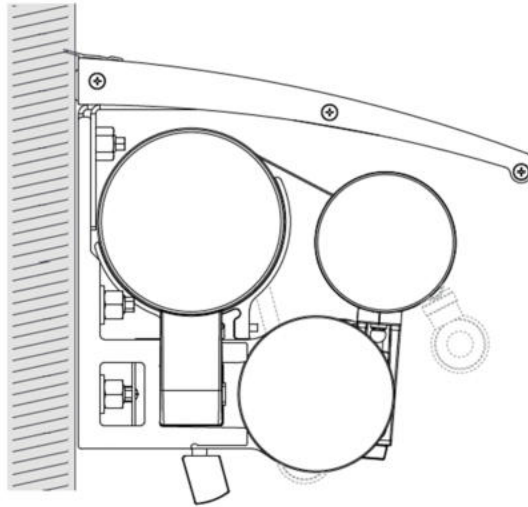
# Wall Mounting

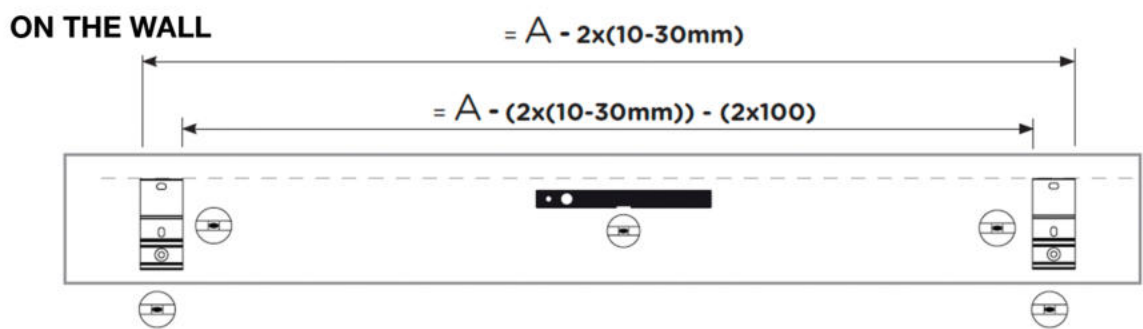
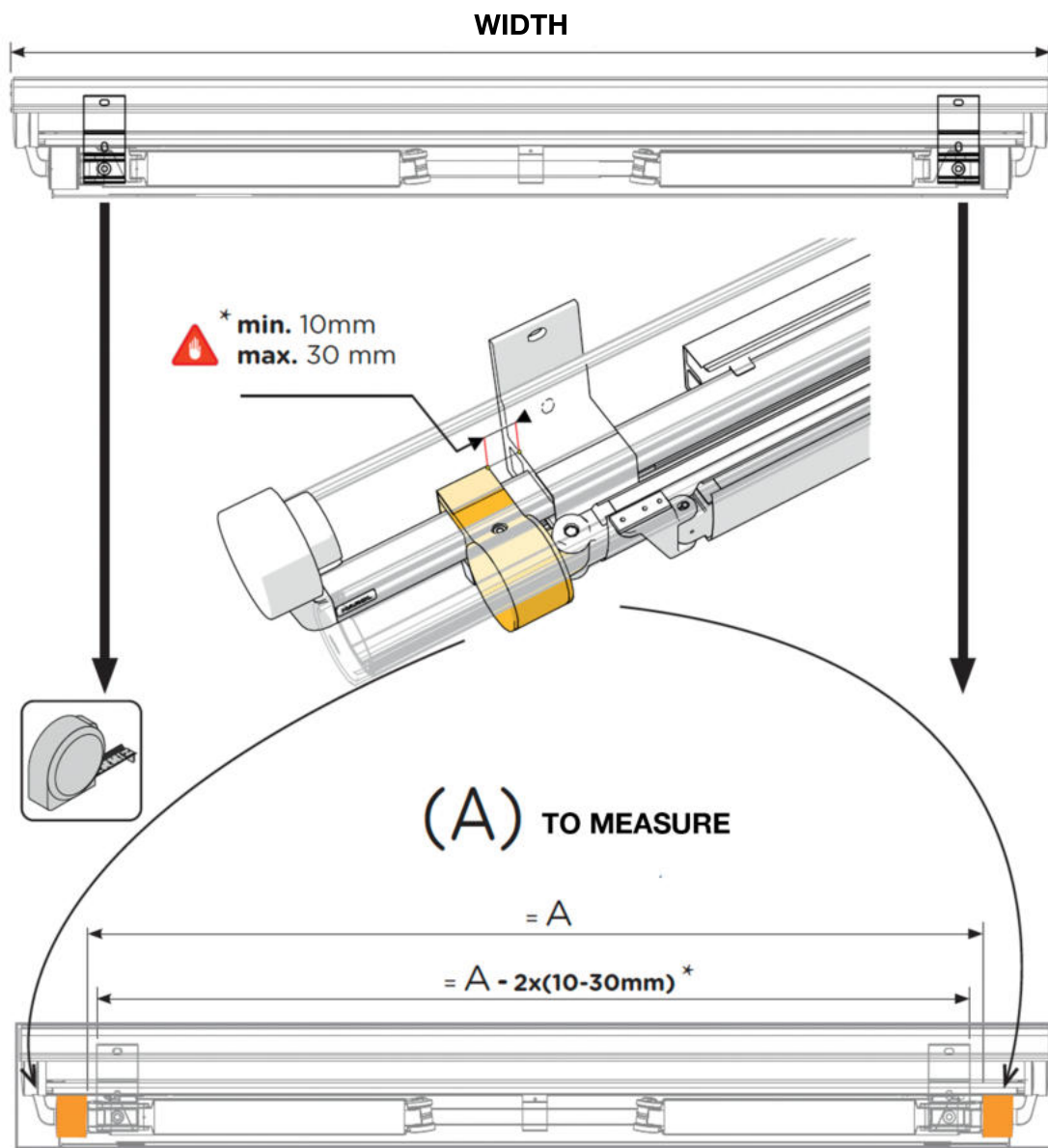


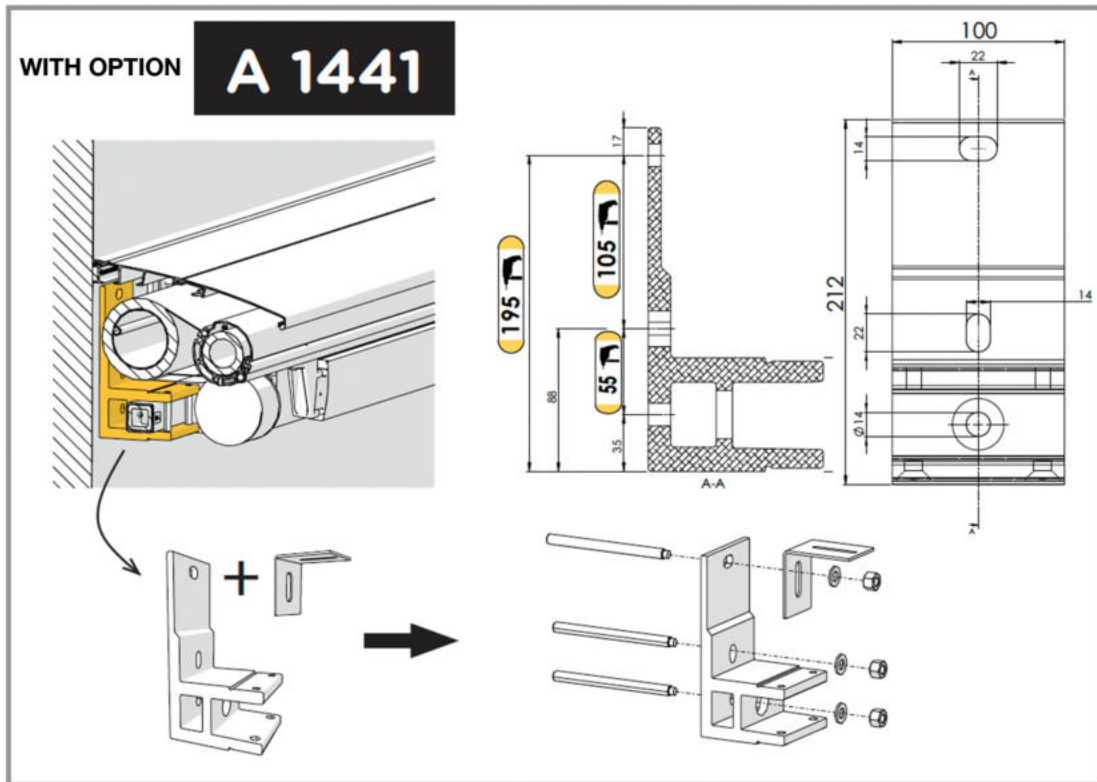
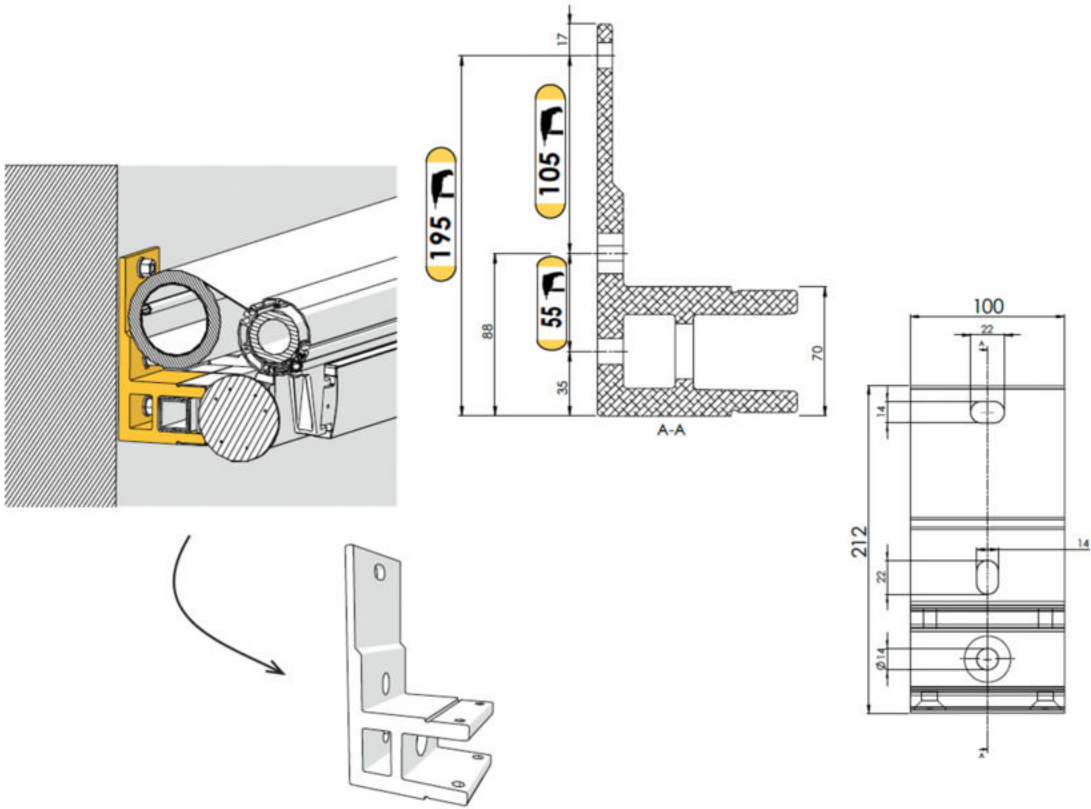
**CRANK HANDLE  
OPERATION**

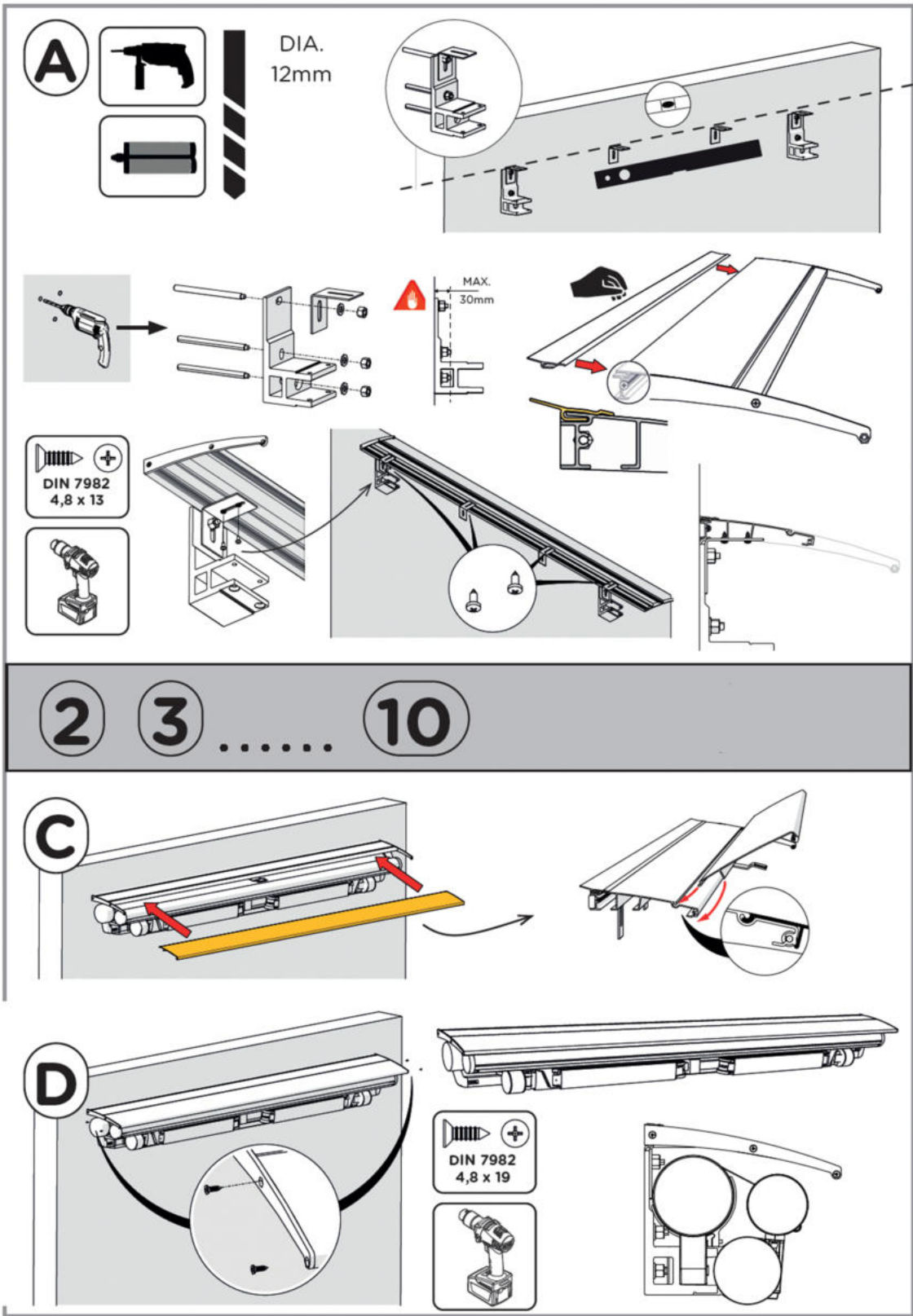


**ELECTRIC MOTOR  
OPERATION**



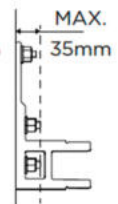
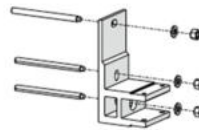
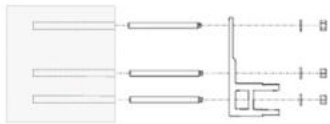
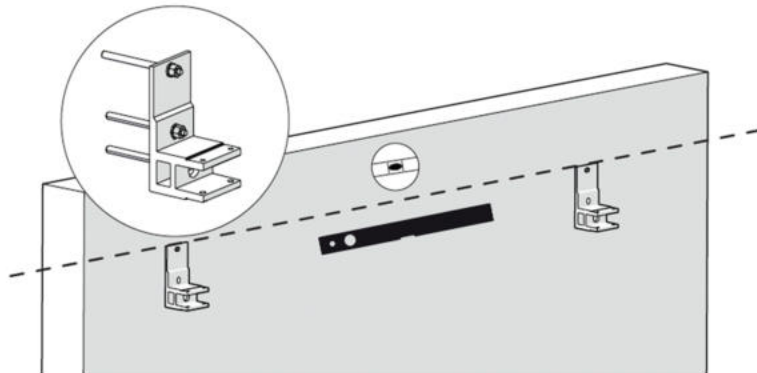
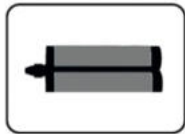




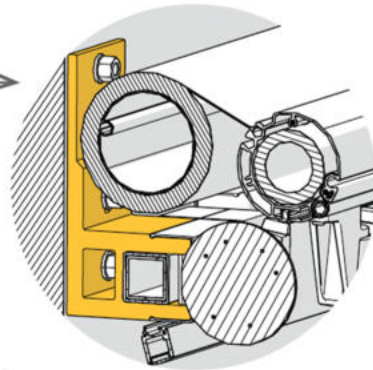
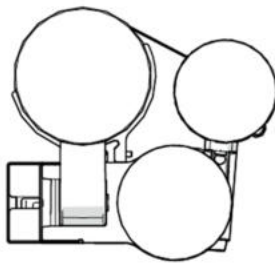
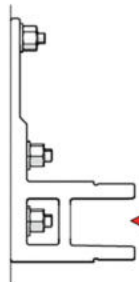
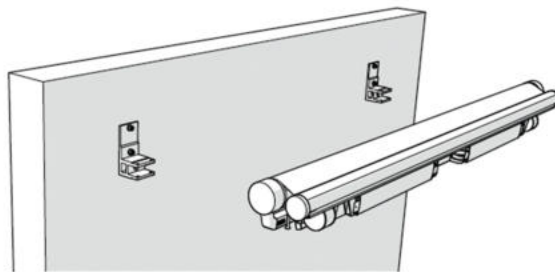


1

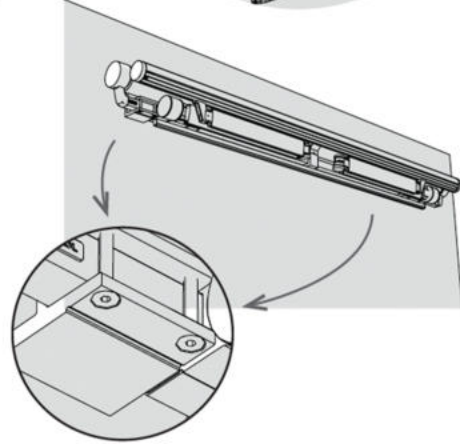
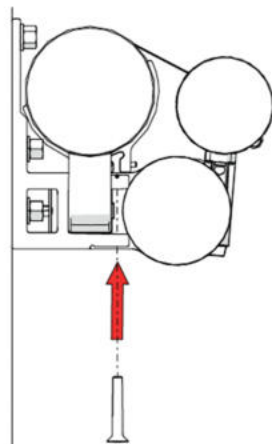
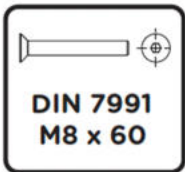
DIA.  
12mm



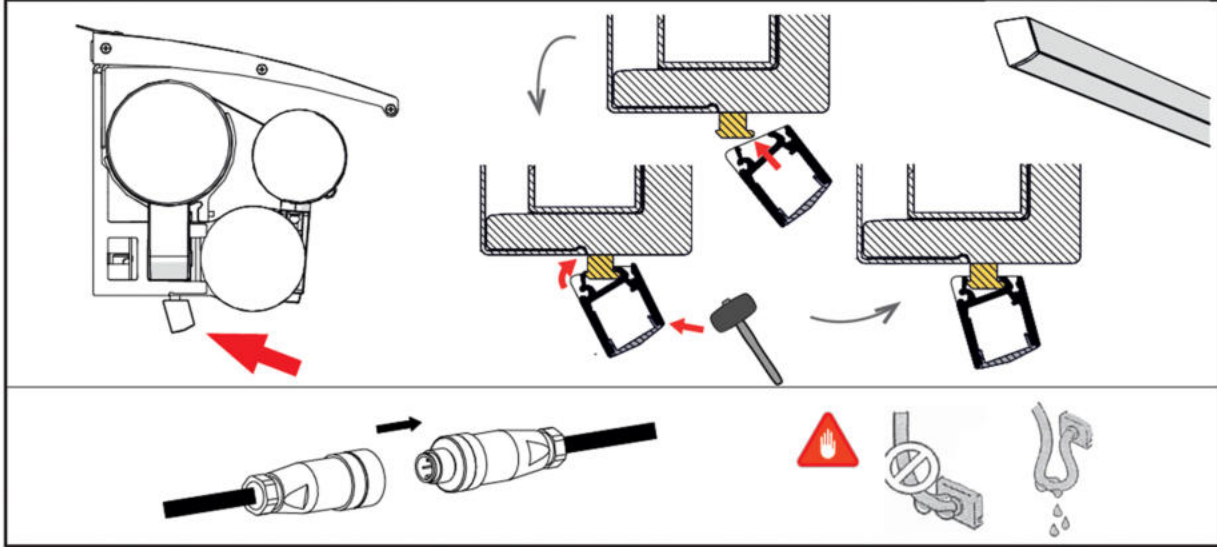
2



3

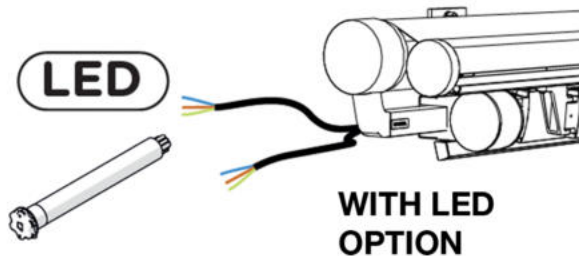
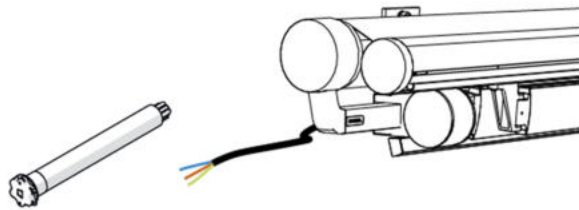


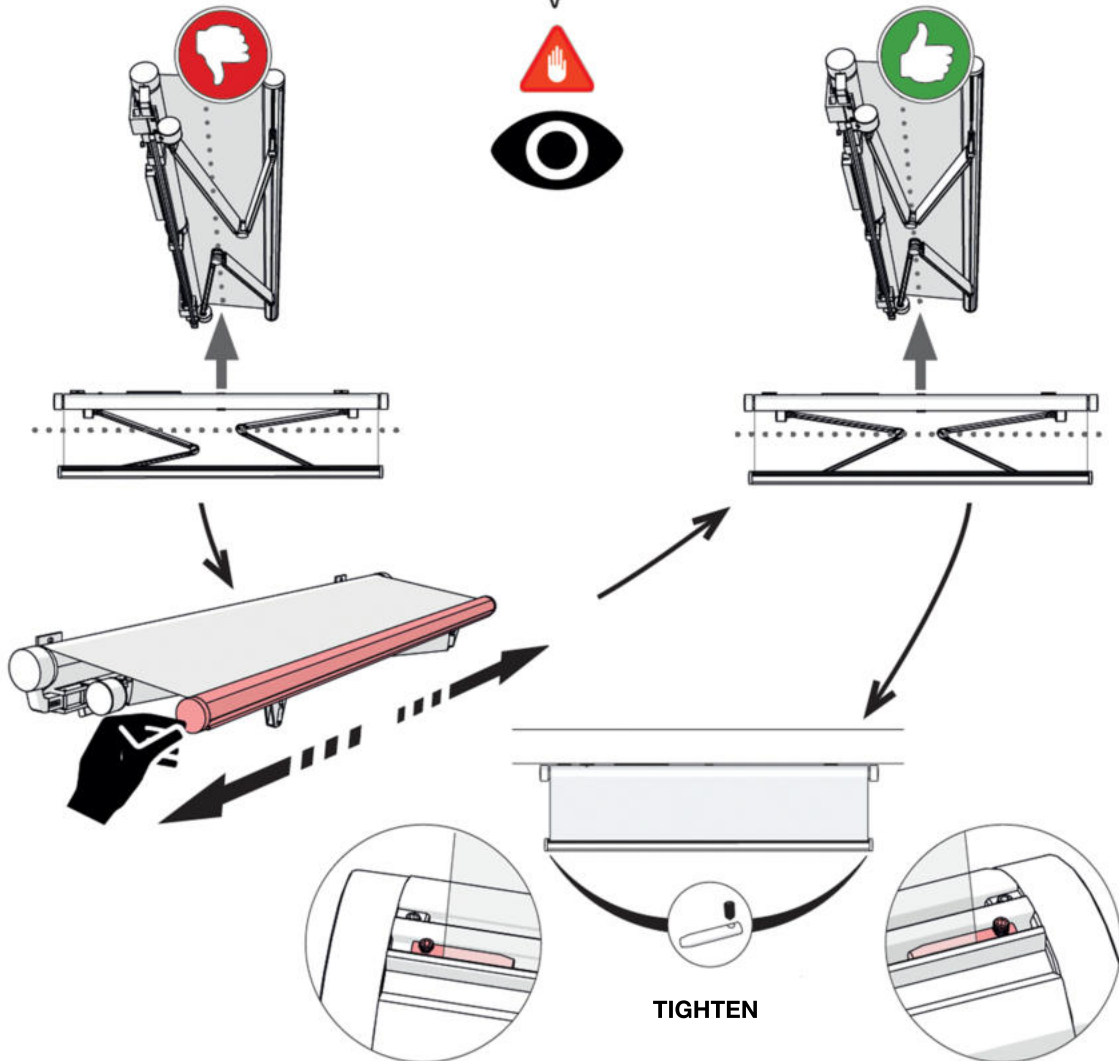
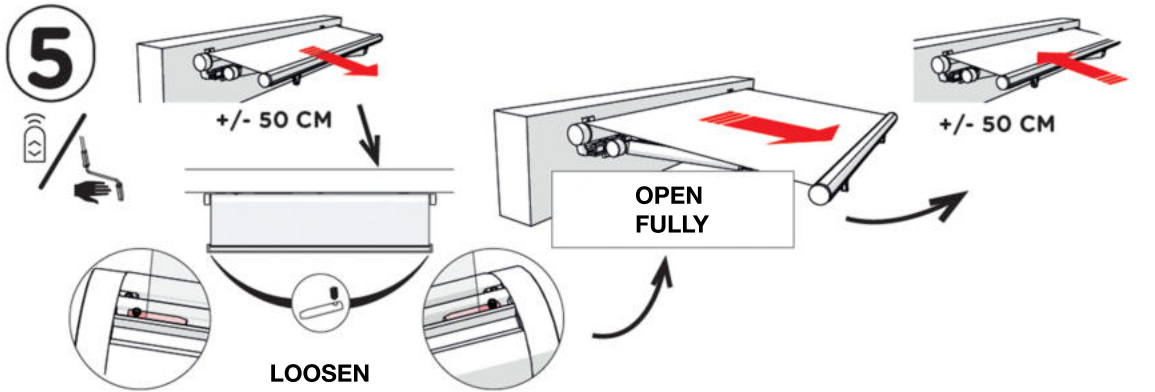
## LED OPTION

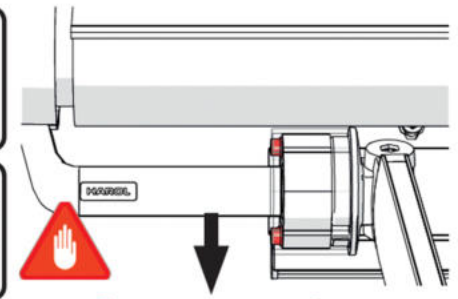
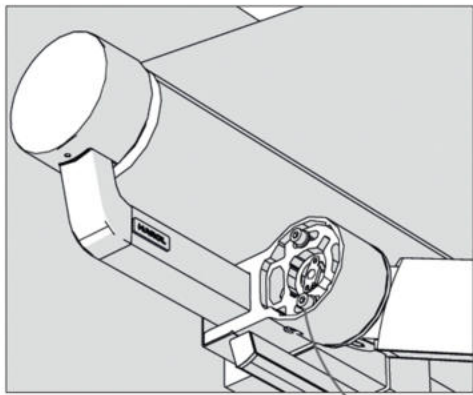
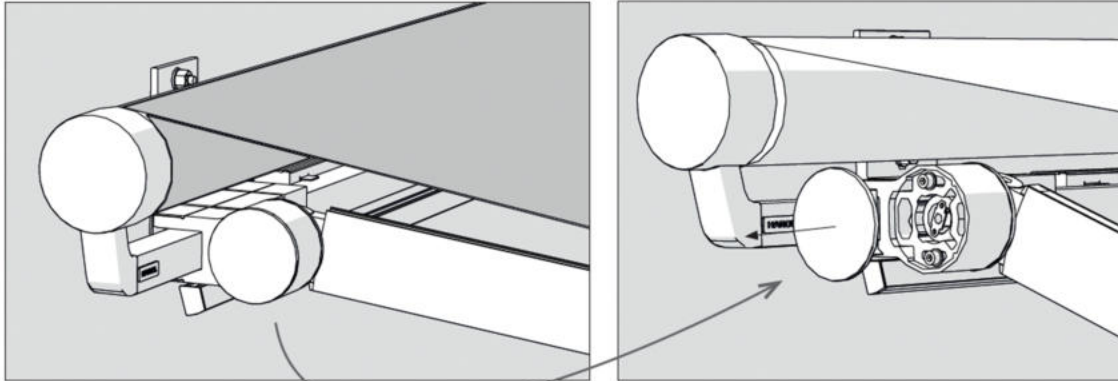


4

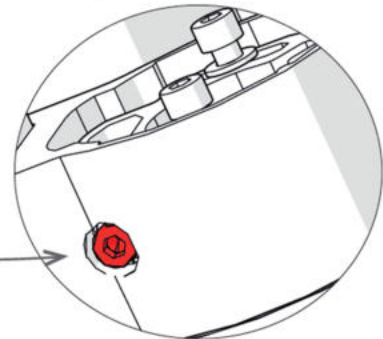
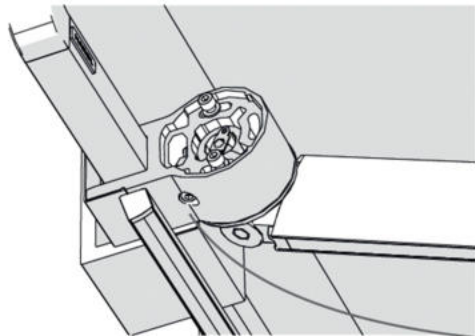
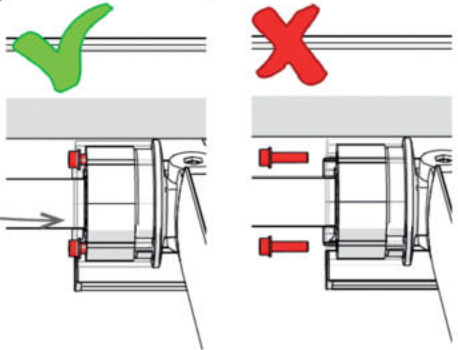
## ELECTRICAL CONNECTION



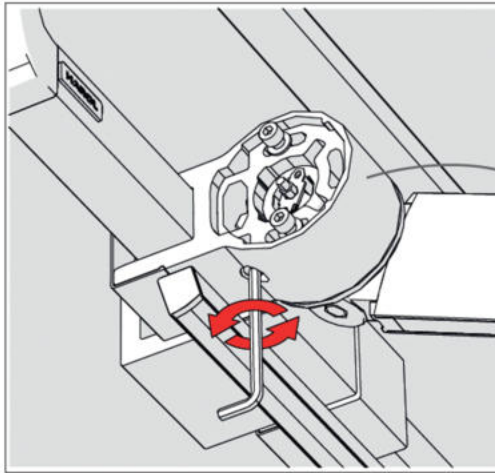




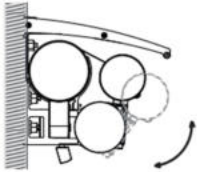
**DO NOT UNSCREW COMPLETELY**



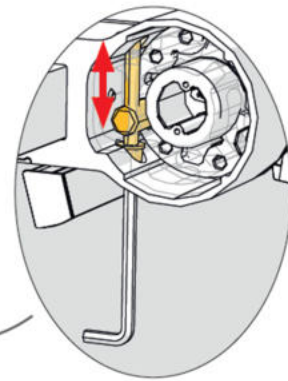
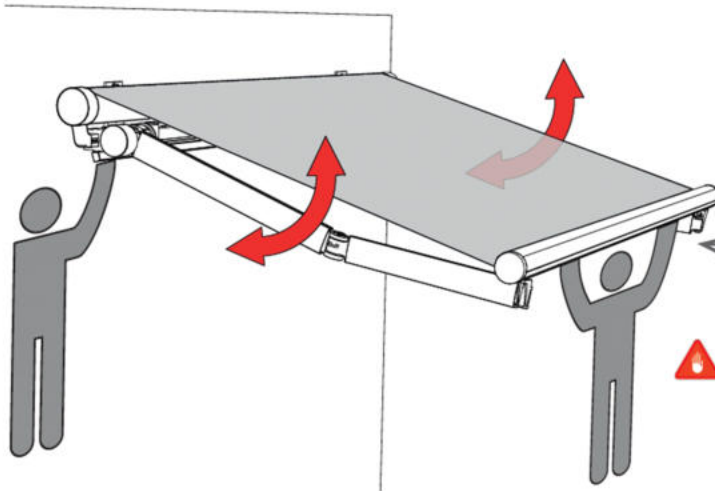
7



TYPE 1

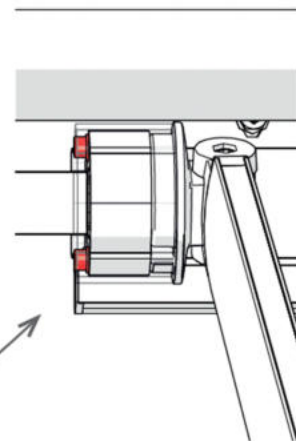
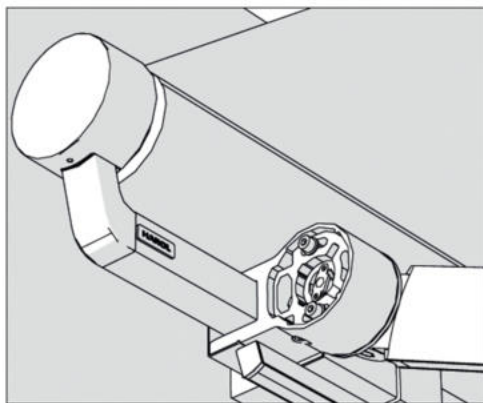


ANGLE OF DISPLACEMENT  
10° - 45°



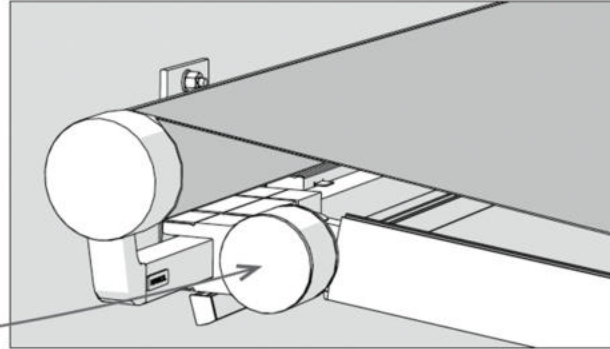
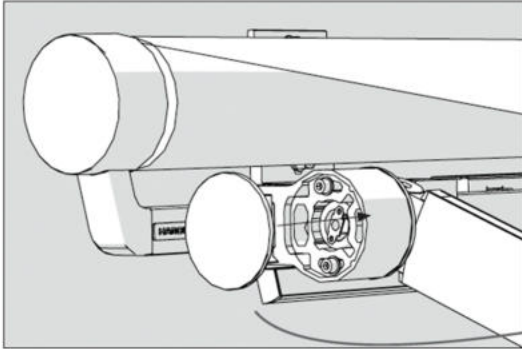
 SUPPORT ONLY, DO NOT PULL!

8

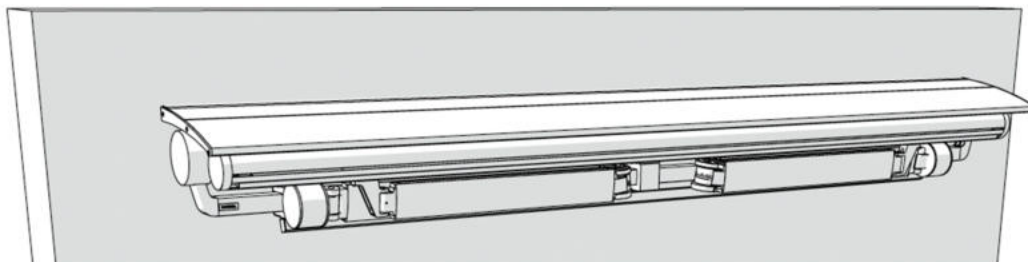
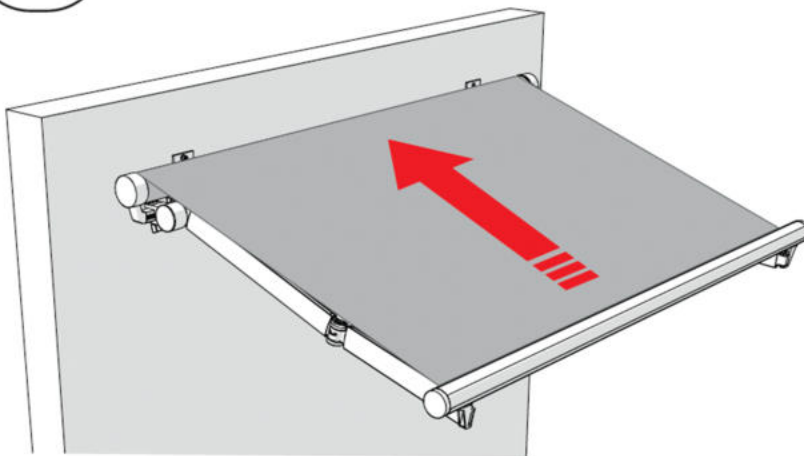


TIGHTEN SCREWS  
AGAIN

9  → 



10



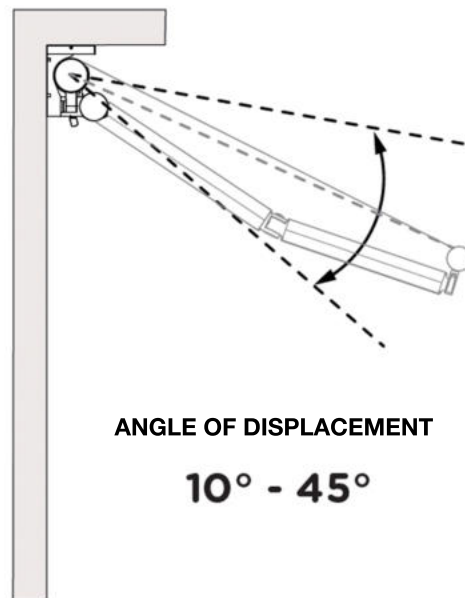
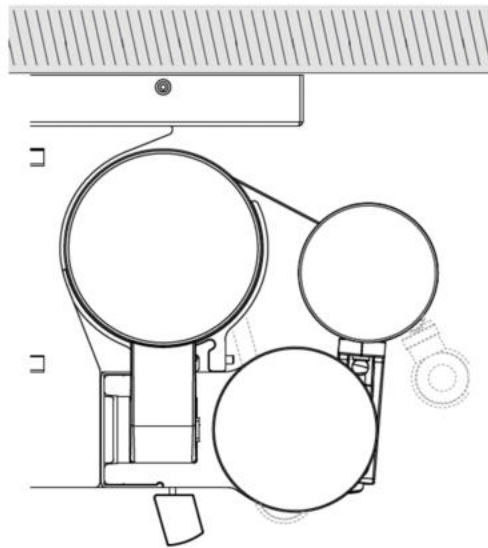
# Ceiling Mounting



**CRANK HANDLE  
OPERATION**

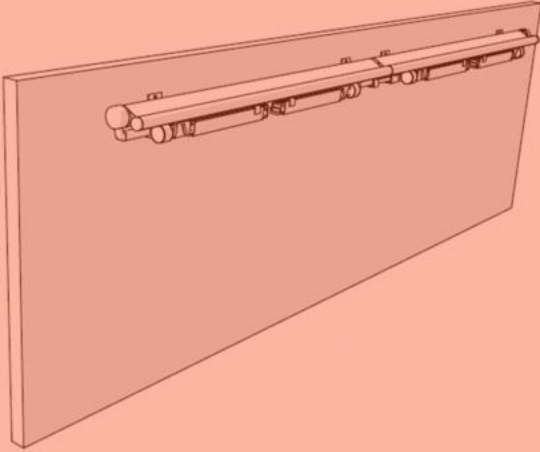


**ELECTRIC MOTOR  
OPERATION**



**ANGLE OF DISPLACEMENT**

**10° - 45°**



## LINKING WITH A UNIVERSAL JOINT

# 1



PART 1



PART 2

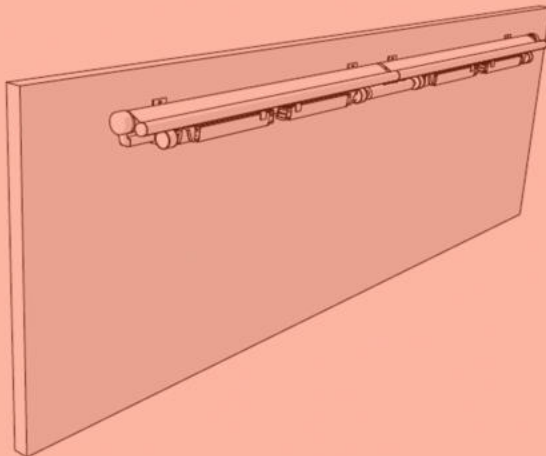
### LINKING COMPONENTS



DIN 912 M6x8  
X8



DIN 914 M5x8  
X8



## LINKING WITH UNIVERSAL JOINT AND FABRIC GAP COVER

# 2



PART 1



PART 2

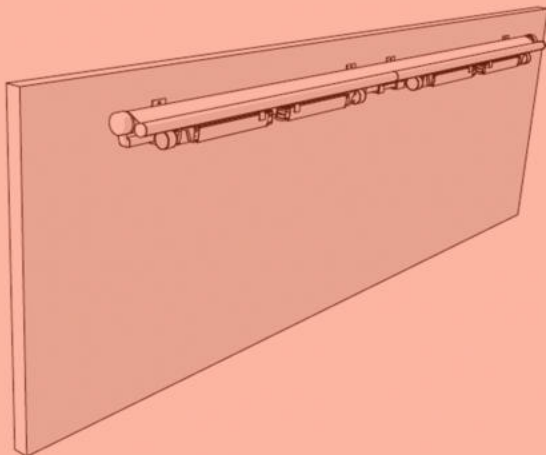
### LINKING COMPONENTS



DIN 912 M6x8  
X8



DIN 914 M5x8  
X8



## LINKING WITH ONE CONTINUOUS FABRIC

# 3



PART 1



PART 2

### LINKING COMPONENTS



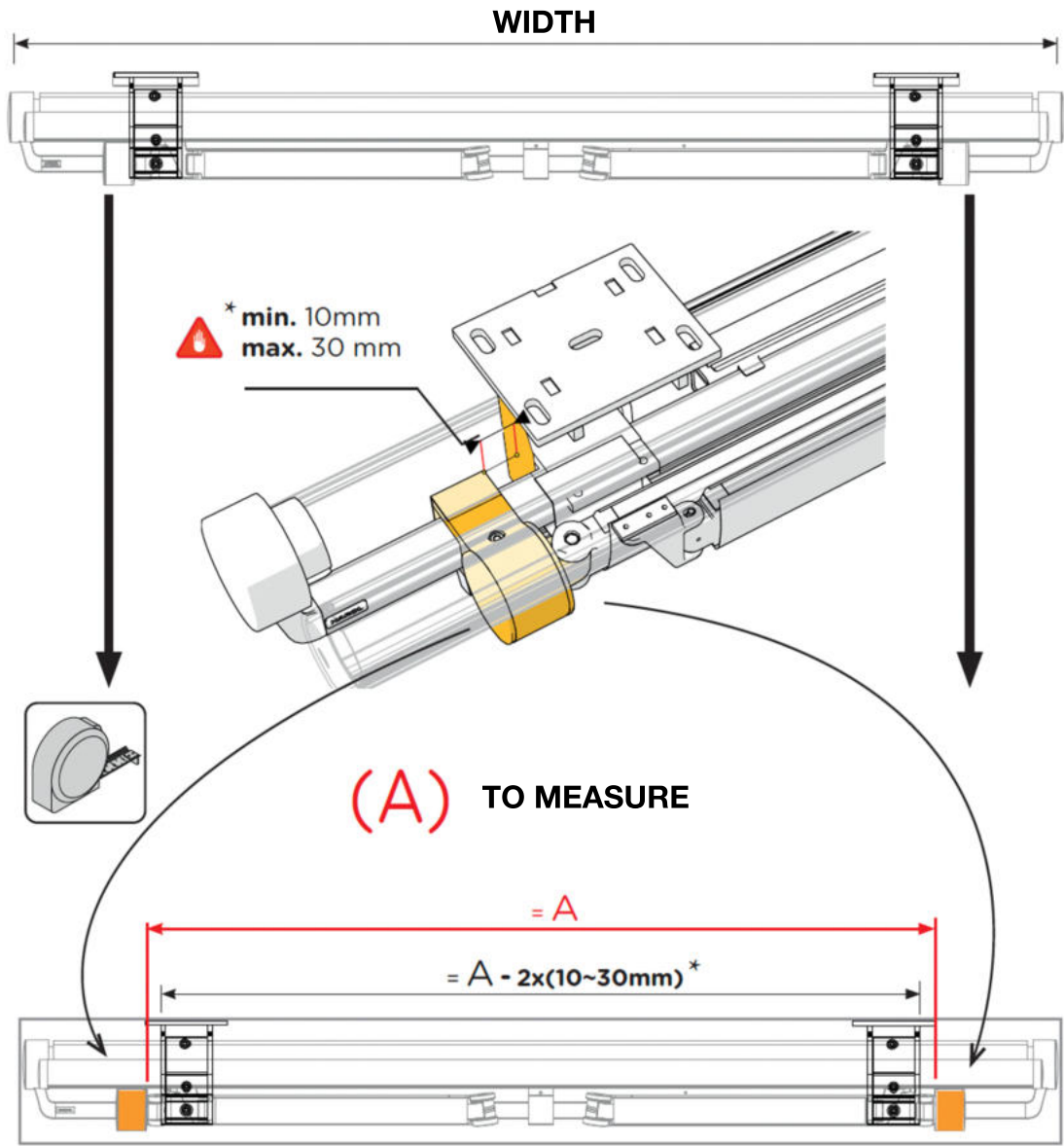
DIN 912 M6x8  
X8



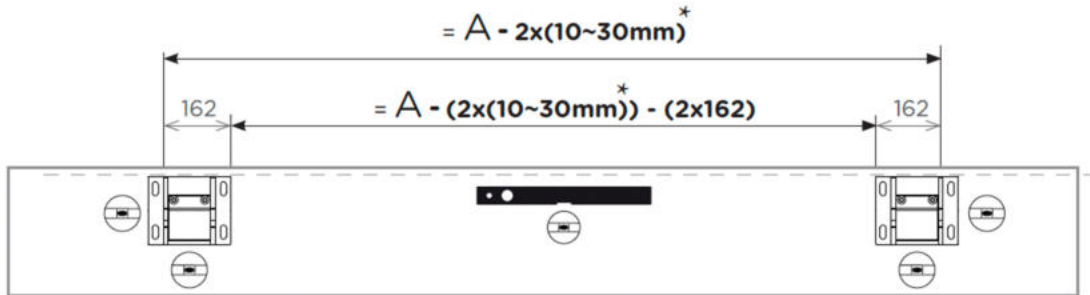
DIN 914 M5x8  
X8

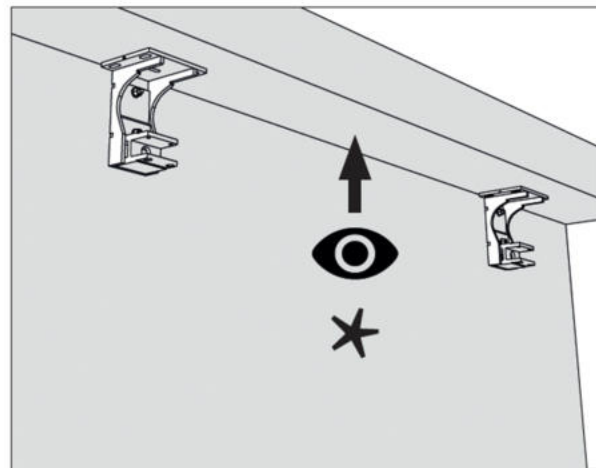
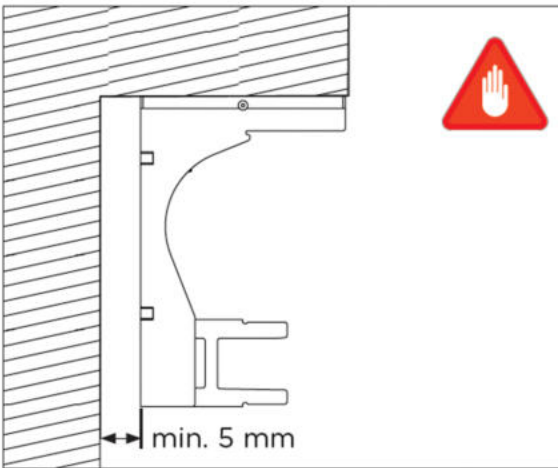
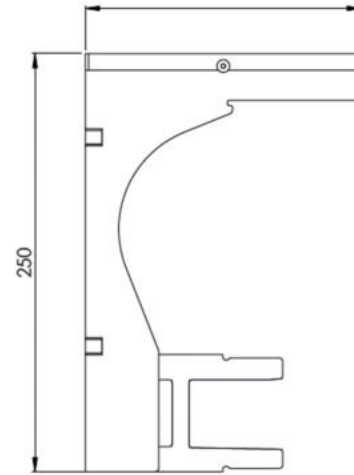
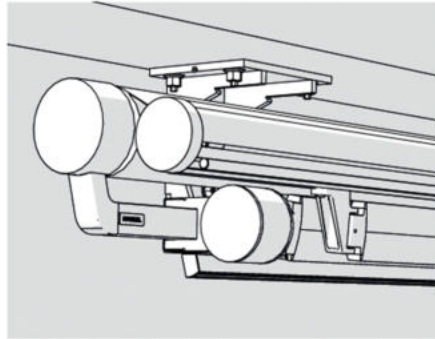
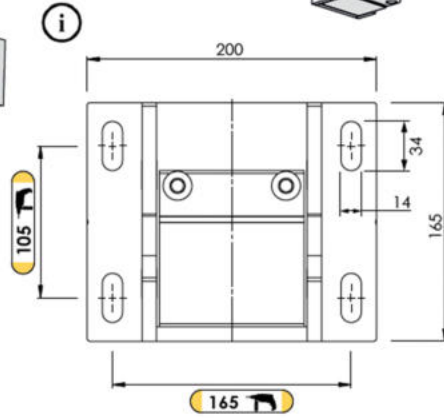
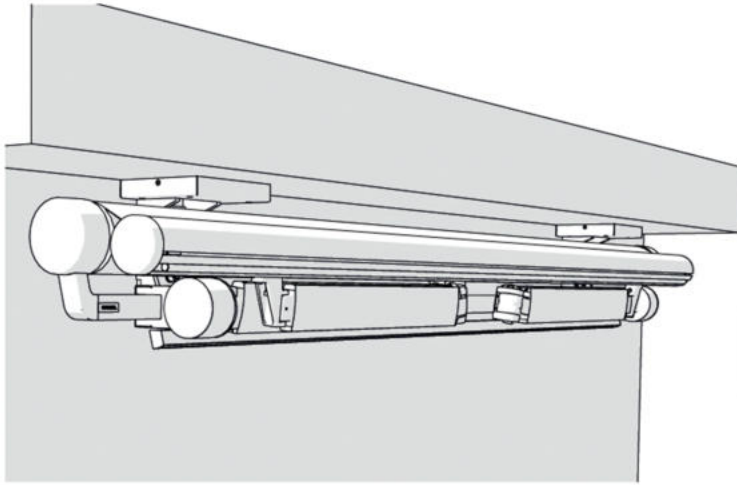


FABRIC



**ON THE CEILING**

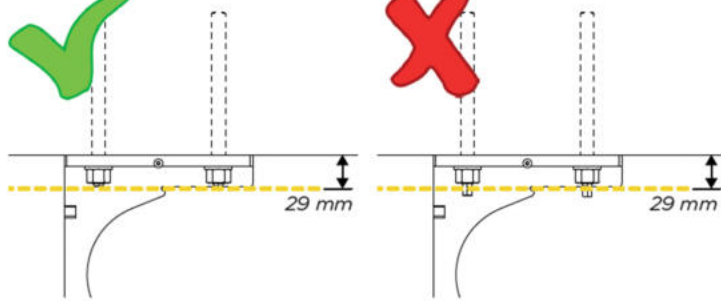
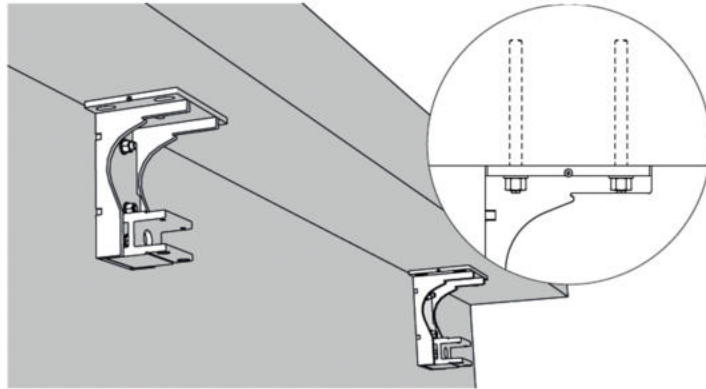
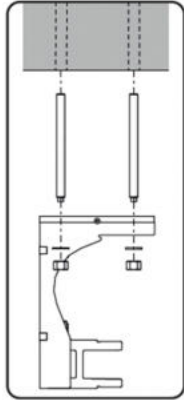
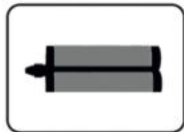




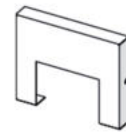
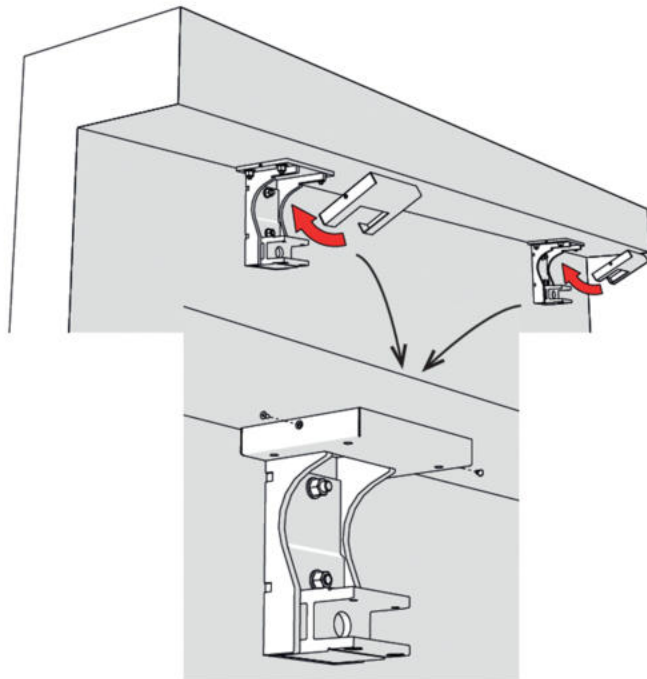
**B**



DIA.  
12



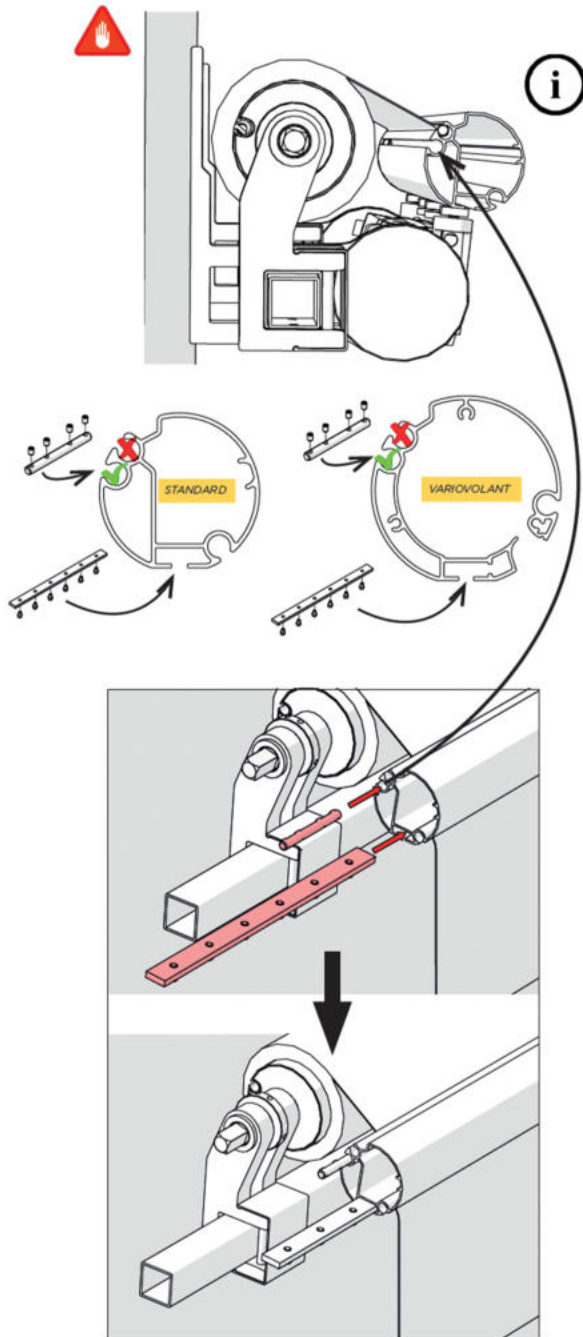
**C**



**2** **3** ..... **10**

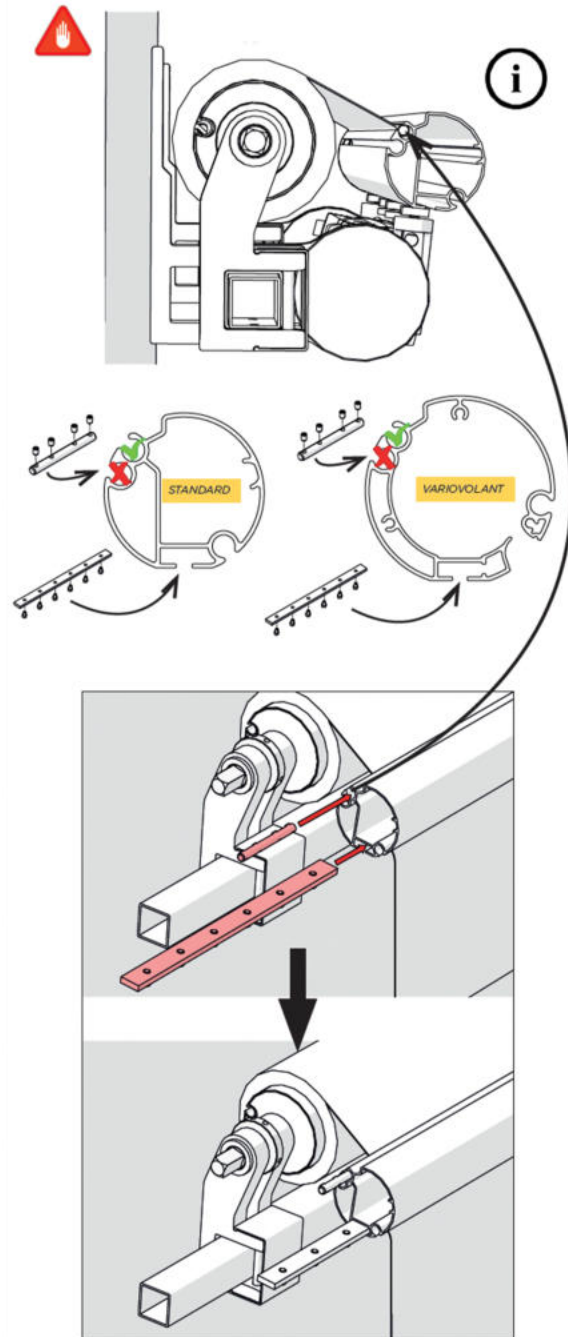
LINKING WITH UNIVERSAL JOINT POINT

1

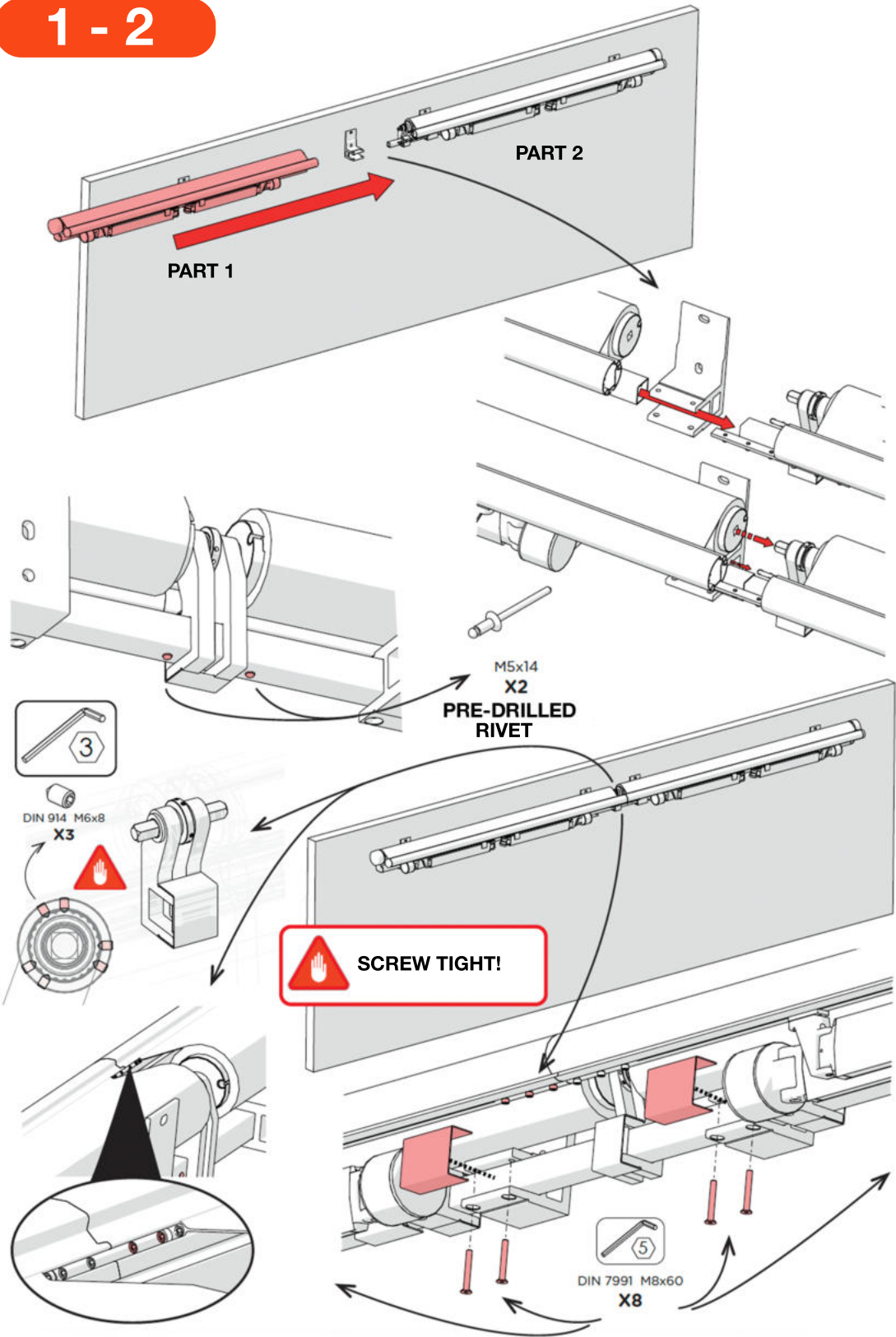


LINKING WITH UNIVERSAL JOINT POINT AND FABRIC GAP COVER

2

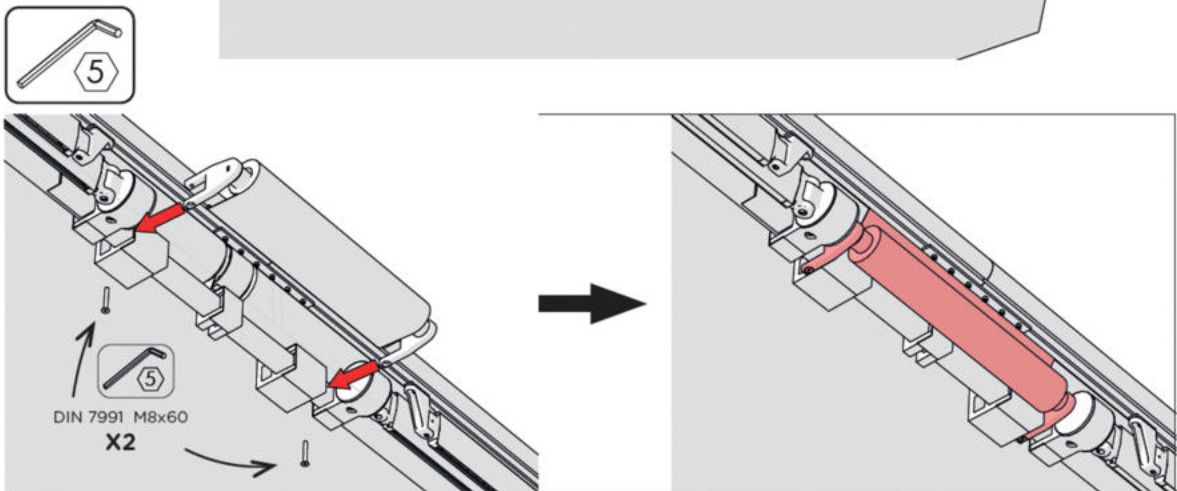
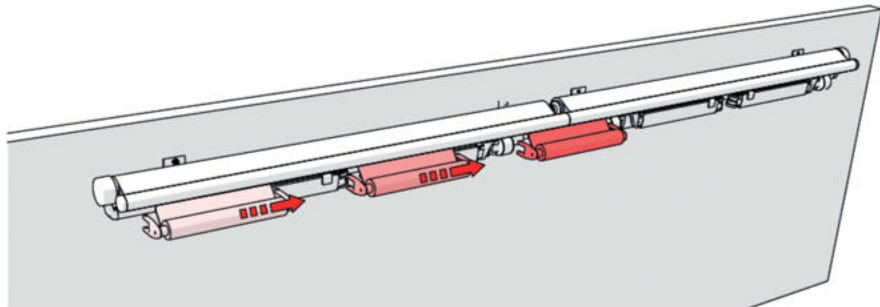
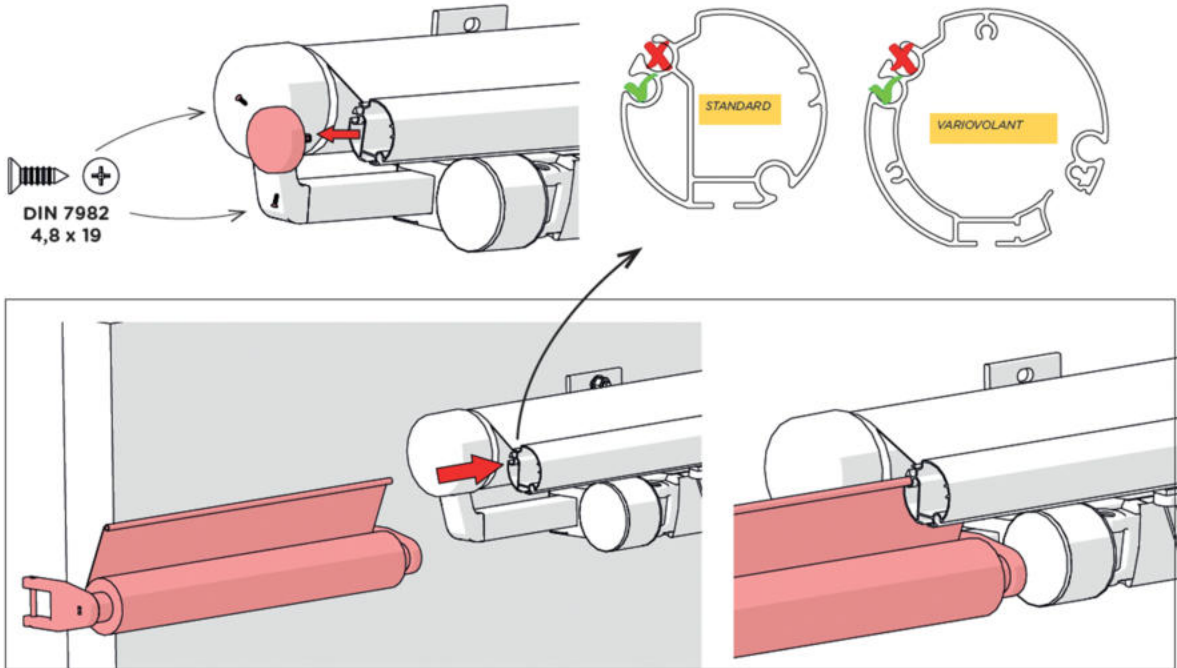


1 - 2



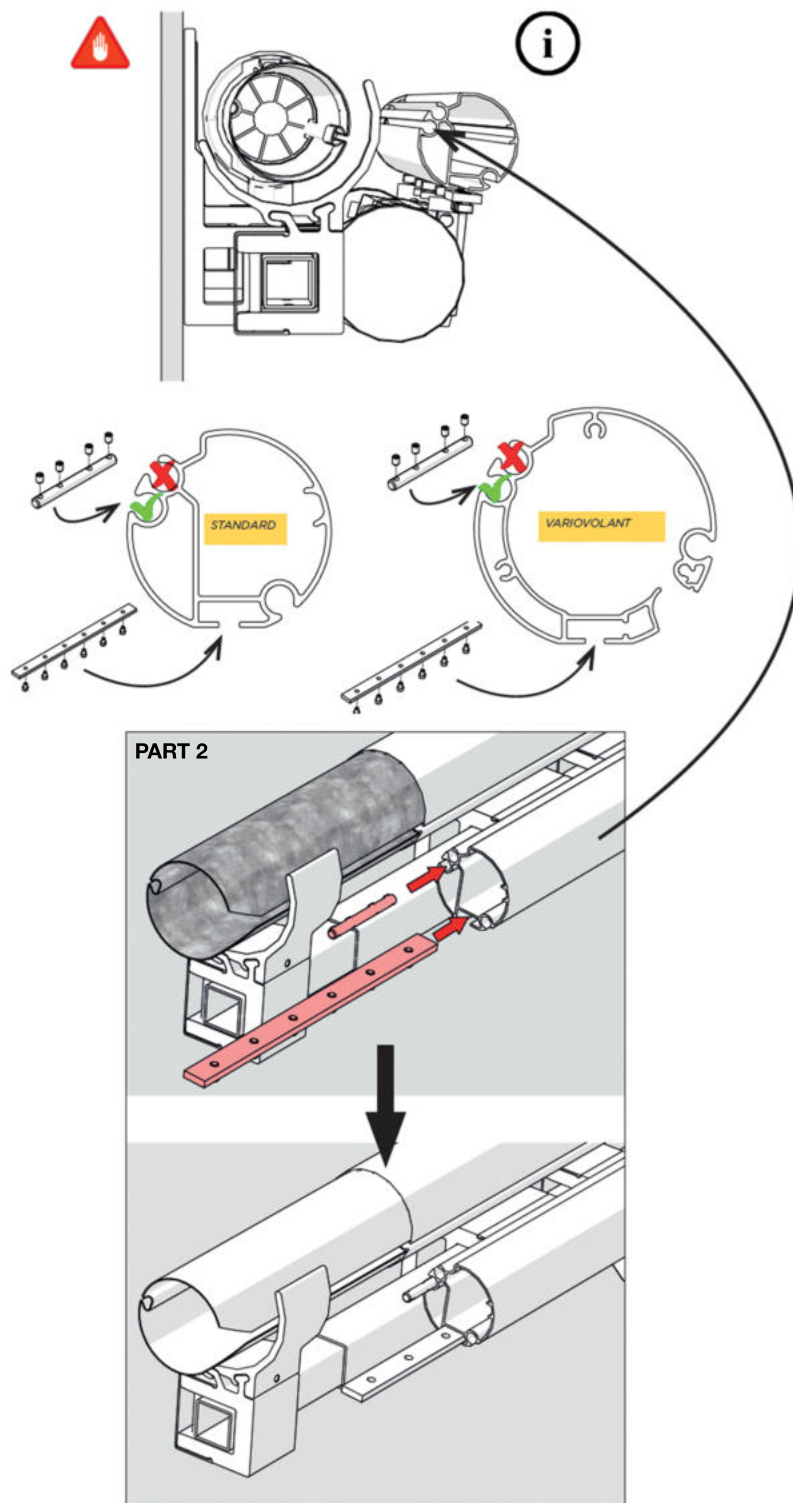
LINKING WITH UNIVERSAL JOINT AND  
FABRIC GAP COVER

2

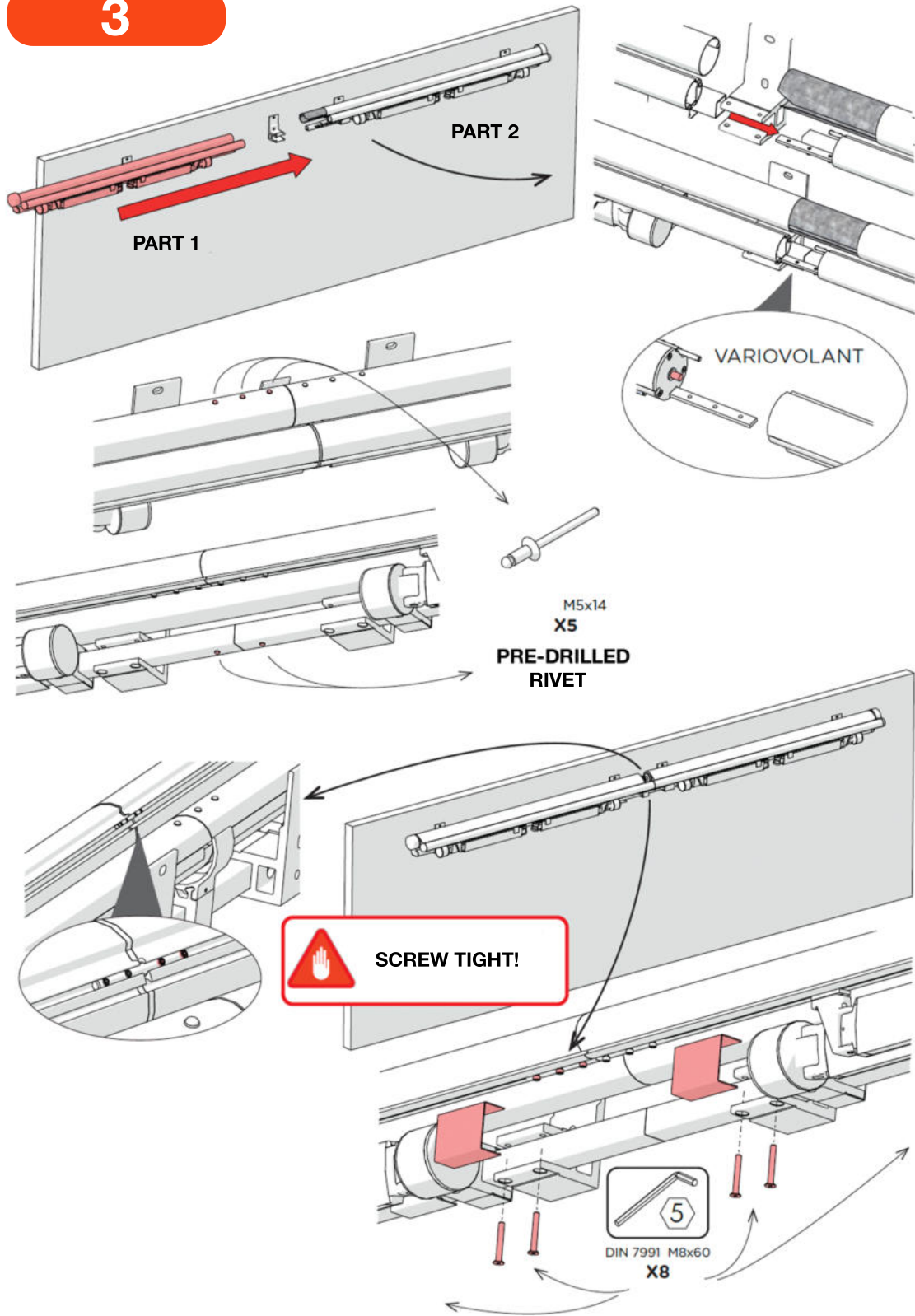


LINKING WITH ONE CONTINUOUS FABRIC

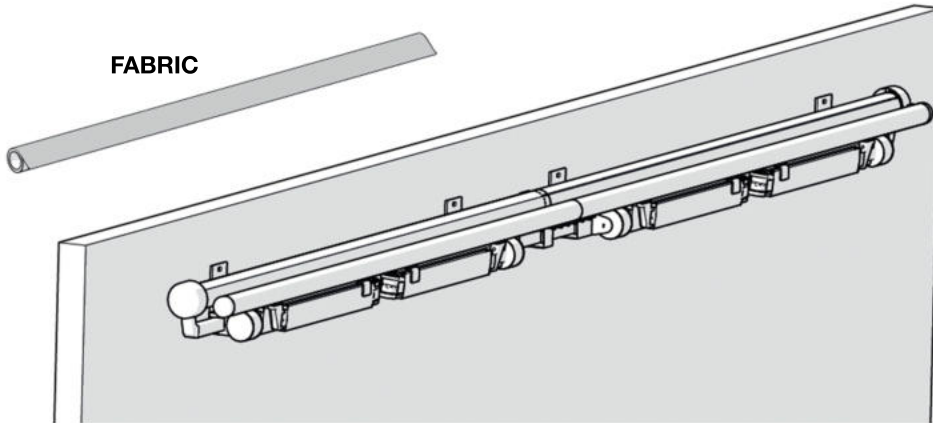
3



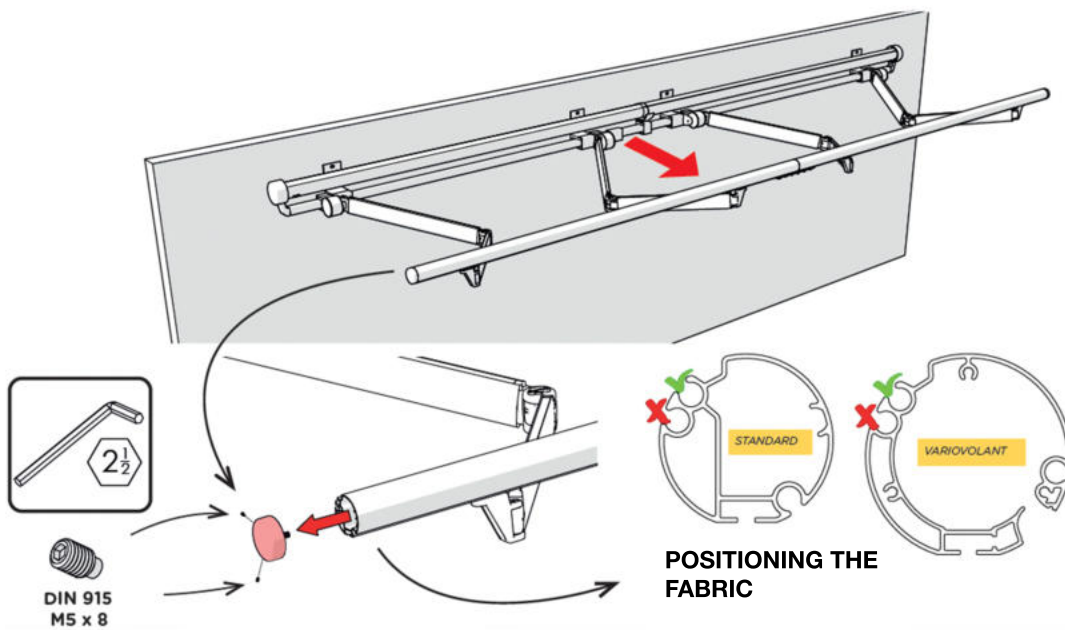
3

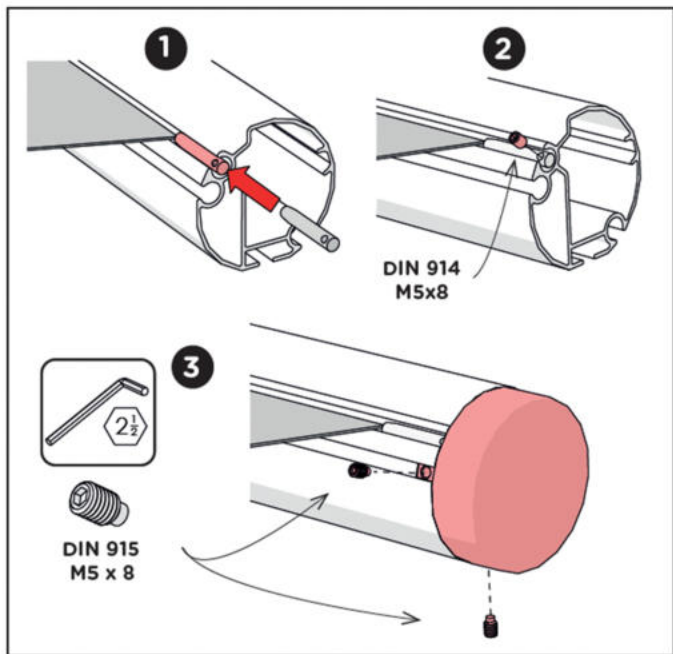
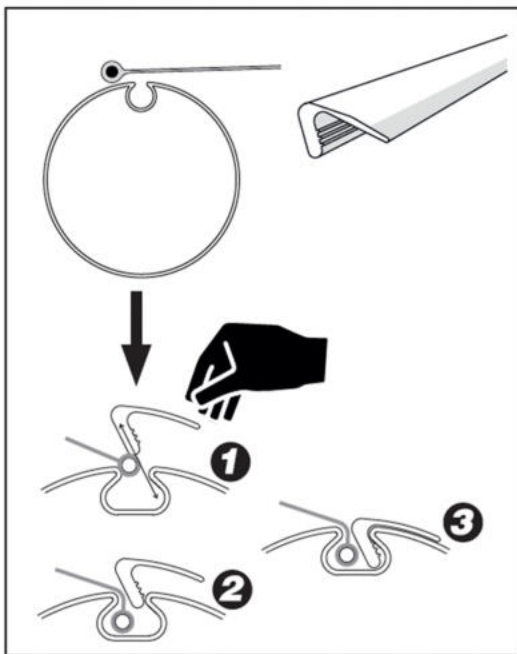
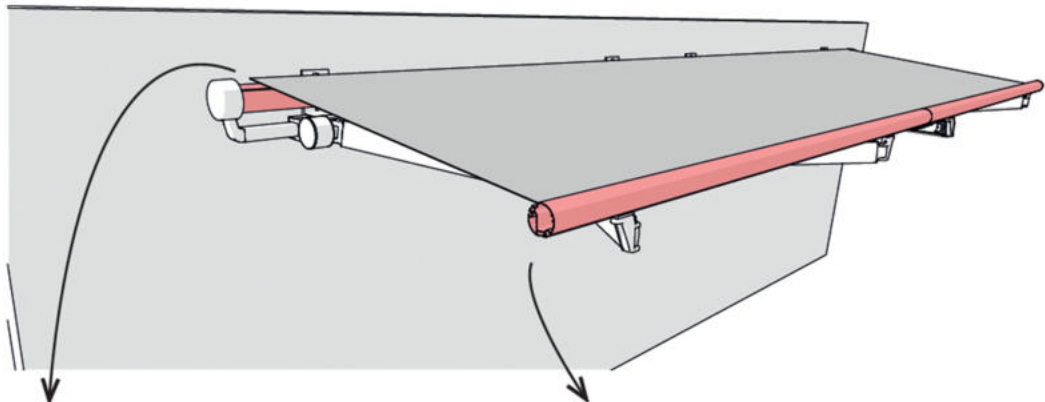
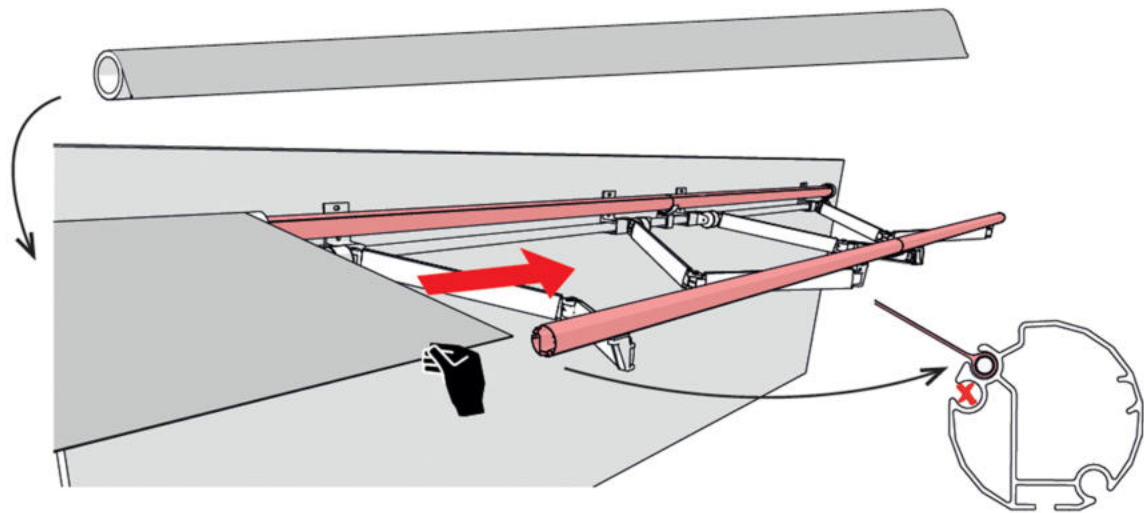


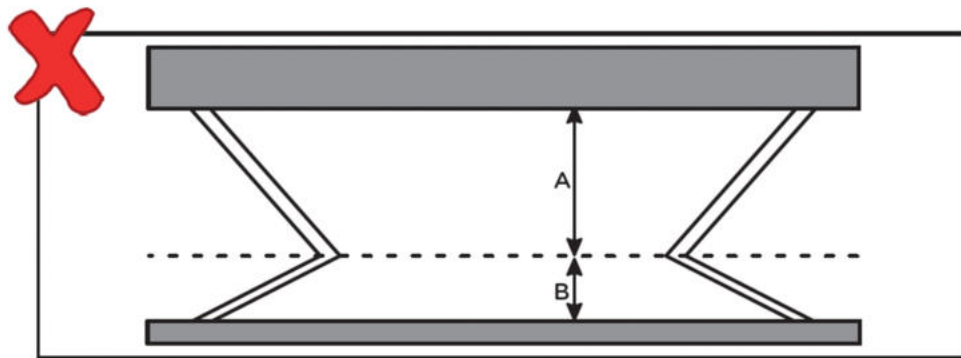
FABRIC



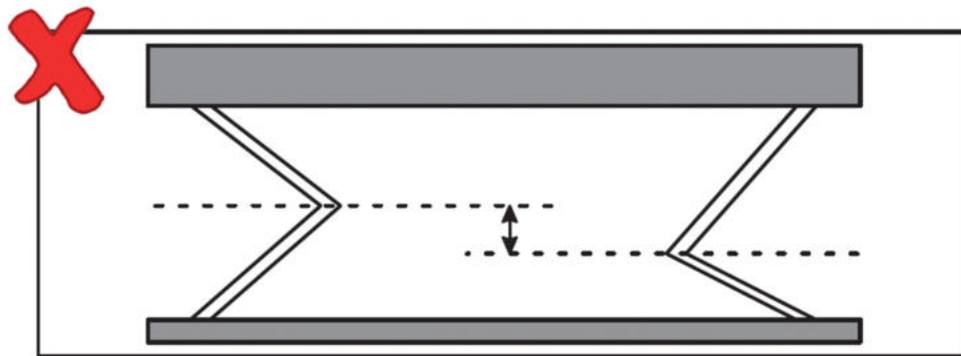
The arms are under great tension. Never remove the straps that keep the arms closed before you have taken the necessary precautionary measures.



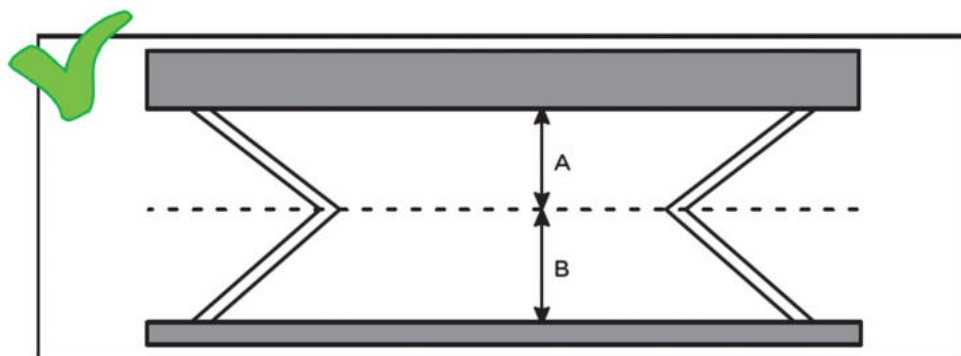




**FAULTY:** THERE IS NO SYMMETRY, DISTANCE A DOES NOT CORRESPOND TO DISTANCE B



**FAULTY:** THE ARTICULATED POINTS ARE NOT IN ONE LINE



**CORRECT:** THE ARTICULATED POINTS ARE IN ONE LINE AND DISTANCE A IS EQUAL TO DISTANCE B



**TALIUS**<sup>®</sup>

**SALES** 6060 Silver Dr, Burnaby, BC V3H 0H5 Canada

**MANUFACTURING** 5501 - 46 Ave SE, Salmon Arm, BC, V1E 1X2 Canada

**TOLL FREE** 888.550.6205

[info@talius.com](mailto:info@talius.com)

[www.talius.com](http://www.talius.com)

